



BRAKE PAD PRIME CERAMIC P50145N

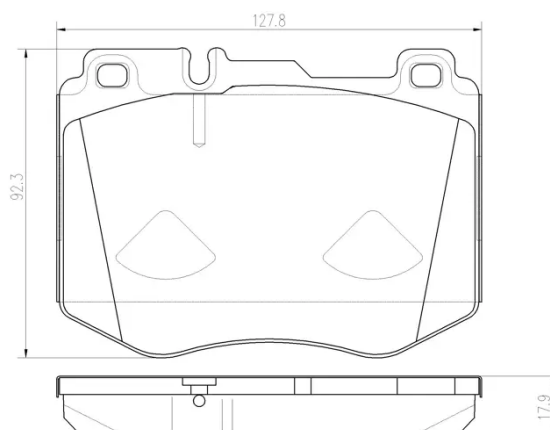
The P50145N NAO brake pad is synonymous with reliability

Brembo NAO brake pads stand out for their ultimate braking comfort, reduced friction wear and low dust mission, which makes for cleaner rims and reduced maintenance requirements. The advanced friction material in keeping with the strictest environmental standards is the main distinguishing feature of NAO compounds.

- ✓ OE-equivalent
- ✓ Brembo quality
- ✓ Safety
- ✓ Comfort
- ✓ Durability
- ✓ Dust reduction
- ✓ With accessories

Technical specifications

| | | |
|--|----------------------------|---|
| EAN code 8020584118771 | Axle Front | Thickness 18 mm |
| Width 128 mm | Height 92 mm | Braking system Brembo |
| Wear indicator Prepared for wear indicator | WVA number 22061 | Accessories With anti-squeal shim |



4 PCS/SET

COMPATIBLE VEHICLES

COMPATIBLE OE PART NUMBERS

| | |
|-------------|---------------|
| 00042080064 | MERCEDES-BENZ |
|-------------|---------------|

| | |
|------------|---------------|
| 0004208100 | MERCEDES-BENZ |
|------------|---------------|

| | |
|--------------|---------------|
| 000420810064 | MERCEDES-BENZ |
|--------------|---------------|

| | |
|--------------|---------------|
| A00042080064 | MERCEDES-BENZ |
|--------------|---------------|

| | |
|-------------|---------------|
| A0004208100 | MERCEDES-BENZ |
|-------------|---------------|

| | |
|---------------|---------------|
| A000420810064 | MERCEDES-BENZ |
|---------------|---------------|
