



BRAKE PAD PRIME CERAMIC P52017N

The P52017N NAO brake pad is synonymous with reliability

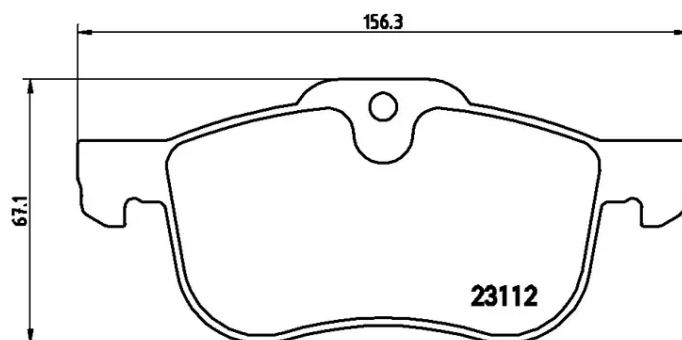
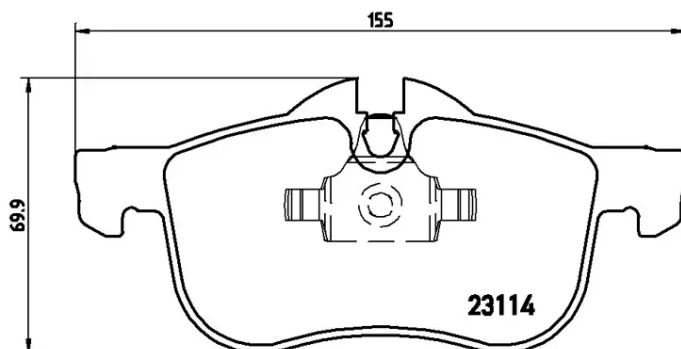
Brembo NAO brake pads stand out for their ultimate braking comfort, reduced friction wear and low dust mission, which makes for cleaner rims and reduced maintenance requirements. The advanced friction material in keeping with the strictest environmental standards is the main distinguishing feature of NAO compounds.

- ✓ OE-equivalent
- ✓ Brembo quality
- ✓ Safety
- ✓ Comfort
- ✓ Durability
- ✓ Dust reduction
- ✓ With accessories



Technical specifications

EAN code 8020584113936	Axle Front	Thickness 19 mm
Width 155 mm	Height 70 mm	Braking system Teves
Wear indicator Without	WVA number 23114,23112	Accessories With piston clip With accessories With anti-squeal shim



COMPATIBLE OE PART NUMBERS

SFP100511 MG

10002727 MG (SAIC)

10008675 MG (SAIC)

10002727 ROEWE (SAIC)

10008675 ROEWE (SAIC)

SFP90004A ROEWE (SAIC)

GBP90342AF ROVER

SFP100511SLP ROVER
