



BRAKE PAD PRIME CERAMIC P54012N

The P54012N NAO brake pad is synonymous with reliability

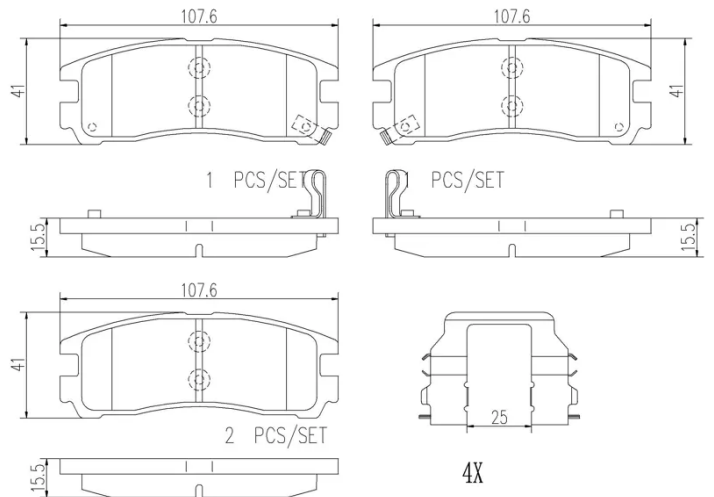
Brembo NAO brake pads stand out for their ultimate braking comfort, reduced friction wear and low dust mission, which makes for cleaner rims and reduced maintenance requirements. The advanced friction material in keeping with the strictest environmental standards is the main distinguishing feature of NAO compounds.

- ✓ OE-equivalent
- ✓ Brembo quality
- ✓ Safety
- ✓ Comfort
- ✓ Durability
- ✓ Dust reduction
- ✓ With accessories



Technical specifications

EAN code 8020584098615	Axle Rear	Thickness 16 mm
Width 108 mm	Height 41 mm	Braking system Akebono
Wear indicator Acoustic	WVA number 21706,21707,21708	Accessories With anti-squeal shim



COMPATIBLE VEHICLES

COMPATIBLE OE PART NUMBERS

4605A237	mitsubishi
MB407659	mitsubishi
MB534653	mitsubishi
MB699056	mitsubishi
MB857335	mitsubishi
MB857336	mitsubishi
MB858380	mitsubishi
MB950350	mitsubishi
MN102624	mitsubishi
MR129438	mitsubishi
MR129537	mitsubishi
MR205144	mitsubishi
MR389576	mitsubishi
MR389577	mitsubishi
MR389578	mitsubishi
MR389580	mitsubishi
MR567780	mitsubishi
MR569780	mitsubishi
MZ690010	mitsubishi
MZ690010EU	mitsubishi
MZ690031	mitsubishi
MZ690051	mitsubishi
MZ690166	mitsubishi
MZ690341	mitsubishi
MZ690560	mitsubishi
X3516001	mitsubishi
AY060MT008	NISSAN
MR129433	PROTON