



BRAKE PAD NAO

P54022N

The P54022N NAO brake pad is synonymous with reliability

Brembo NAO brake pads stand out for their ultimate braking comfort, reduced friction wear and low dust mission, which makes for cleaner rims and reduced maintenance requirements. The advanced friction material in keeping with the strictest environmental standards is the main distinguishing feature of NAO compounds.

- ✓ OE-equivalent
- ✓ Brembo quality
- ✓ Safety
- ✓ Comfort
- ✓ Durability
- ✓ Dust reduction
- ✓ With accessories



Technical specifications

EAN code
8020584086360

Axle
Front

Thickness
15 mm

Width
130 mm

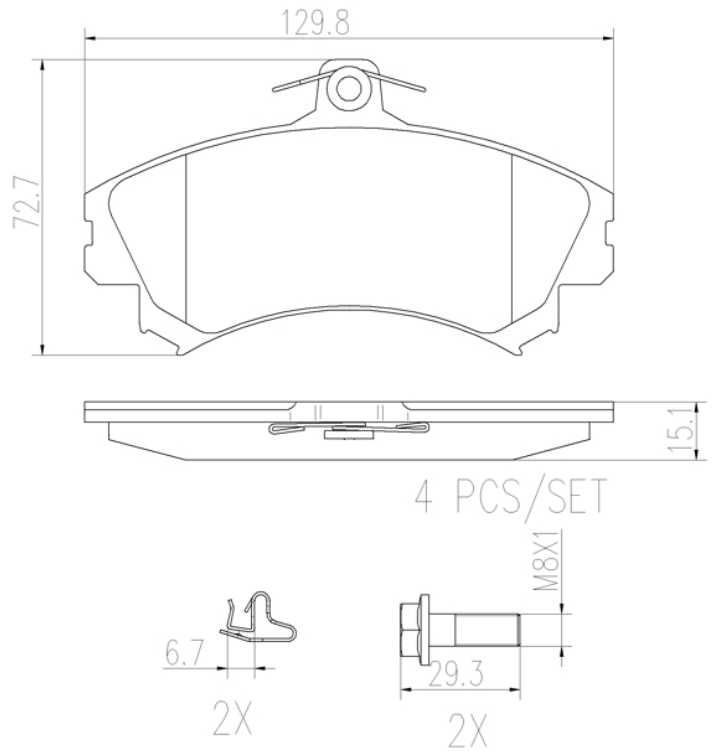
Height
73 mm

Braking system
Lucas

Wear indicator
Acoustic

WVA number
21920

Accessories
With brake caliper bolts
With anti-squeal shim



COMPATIBLE VEHICLES

COMPATIBLE OE PART NUMBERS

DBP511117	mitsubishi
MR235557	mitsubishi
MR249241	mitsubishi
MR389520	mitsubishi
MR407946	mitsubishi
MZ690336	mitsubishi
MZ690593	mitsubishi
TS200058	mitsubishi
X3511007	mitsubishi
PW890078	proton
30769197	volvo
3345670	volvo
33456708	volvo