



BRAKE PAD

P 10 064

The P 10 064 brake pad is synonymous with reliability

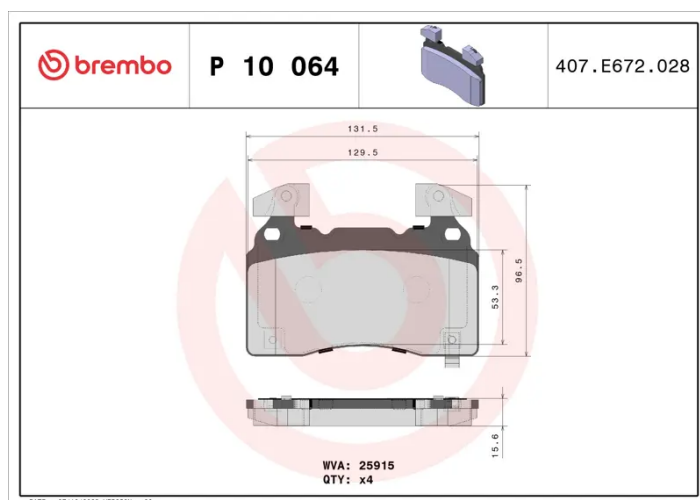
The Brembo brake pad guarantees ultimate safety when braking thanks to the use of more than 100 different compounds, designed according to the type of vehicle and use. Stopping distances reduced to a minimum, maximum driving comfort and silent operation are the most important features of Brembo materials. Brembo brake pads are supplied together with an extensive range of accessories and assembly kits for professional-standard installation.

- ✓ OE-equivalent
- ✓ Brembo quality
- ✓ ECE-R90 certificate
- ✓ Safety
- ✓ Performance
- ✓ Comfort



Technical specifications

EAN code 8020584069844	Axle Front	Thickness 16 mm
Width 132 mm	Height 97 mm	Braking system Brembo
Wear indicator Acoustic	WVA number 25915	Accessories With counterweights With anti-squeal shim



COMPATIBLE VEHICLES

COMPATIBLE OE PART NUMBERS

22907156	CHEVROLET
23441307	CHEVROLET
92244289	CHEVROLET
92291022	CHEVROLET
22976409	GENERAL MOTORS
92277173	GENERAL MOTORS
92291022	GENERAL MOTORS
23441307	OPEL
84732488	OPEL
600642900B	TESLA
84732488	VAUXHALL
3510H01ED1	XPENG
3510H01ED10001	XPENG