



BRAKE PAD

P 23 102

The P 23 102 brake pad is synonymous with reliability

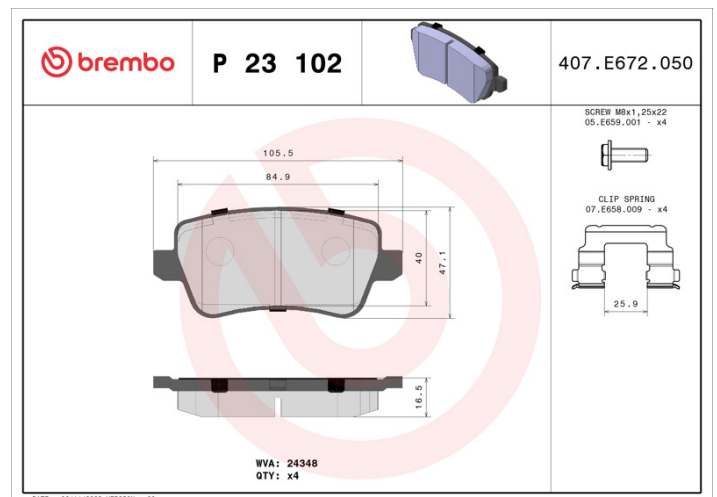
The Brembo brake pad guarantees ultimate safety when braking thanks to the use of more than 100 different compounds, designed according to the type of vehicle and use. Stopping distances reduced to a minimum, maximum driving comfort and silent operation are the most important features of Brembo materials. Brembo brake pads are supplied together with an extensive range of accessories and assembly kits for professional-standard installation.

- ✓ OE-equivalent
- ✓ Brembo quality
- ✓ ECE-R90 certificate
- ✓ Safety
- ✓ Performance
- ✓ Comfort



Technical specifications

EAN code 8020584051726	Axle Rear	Thickness 17 mm
Width 105 mm	Height 47 mm	Braking system Lucas
Wear indicator Without	WVA number 24348	Accessories With brake caliper bolts



COMPATIBLE VEHICLES

COMPATIBLE OE PART NUMBERS

71772220	FIAT
----------	------

77363610	FIAT
----------	------

77364169	FIAT
----------	------
