



BRAKE PAD

P 24 007

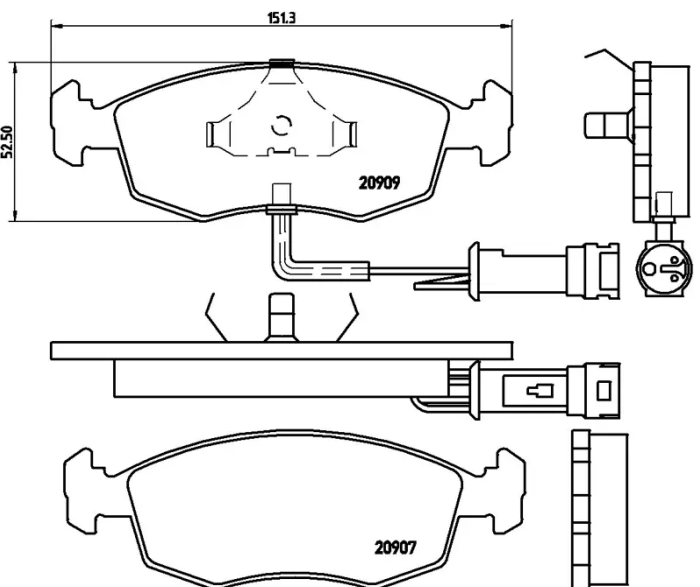
The P 24 007 brake pad is synonymous with reliability

The Brembo brake pad guarantees ultimate safety when braking thanks to the use of more than 100 different compounds, designed according to the type of vehicle and use. Stopping distances reduced to a minimum, maximum driving comfort and silent operation are the most important features of Brembo materials. Brembo brake pads are supplied together with an extensive range of accessories and assembly kits for professional-standard installation.

- ✓ OE-equivalent
- ✓ Brembo quality
- ✓ ECE-R90 certificate
- ✓ Safety
- ✓ Performance
- ✓ Comfort

Technical specifications

EAN code	Axle	Thickness
8020584051795	Front	18 mm
Width	Height	Braking system
151 mm	53 mm	Teves
Wear indicator	WVA number	Accessories
Electric	20909,20907	With anti-squeal shim



COMPATIBLE VEHICLES

COMPATIBLE OE PART NUMBERS

1034512 FORD

1632792 FORD

1640755 FORD

1647731 FORD

1654620 FORD

1659936 FORD

1659937 FORD

5020818 FORD

5023999 FORD

6127528 FORD

6147495 FORD

6155616 FORD

6155619 FORD

6155623 FORD

6157177 FORD

6170935 FORD

6174787 FORD

6189148 FORD

6511774 FORD

6511775 FORD

6521375 FORD

6704270 FORD

6706468 FORD

6821708 FORD

83BB2K021EC FORD

84BB2K021DA FORD

85GB2K021BA FORD

85GB2K021BB FORD

86BB2K021DA FORD

88GB2K021AA FORD

88GB2K021BA FORD

88GX2K021BA FORD

89GB2K021BA FORD

89GB2K021BB FORD

89GX2K021BA FORD

91GB2K021AB FORD

91GB2K021AC FORD

92GB2K021AA FORD

92GX2K021AB FORD

D88GB2K021AA FORD

V85BB2K021AA FORD

V86AB2K021BA FORD

V86BB2K021BA FORD