



# BRAKE PAD

## P 24 035

The P 24 035 brake pad is synonymous with reliability

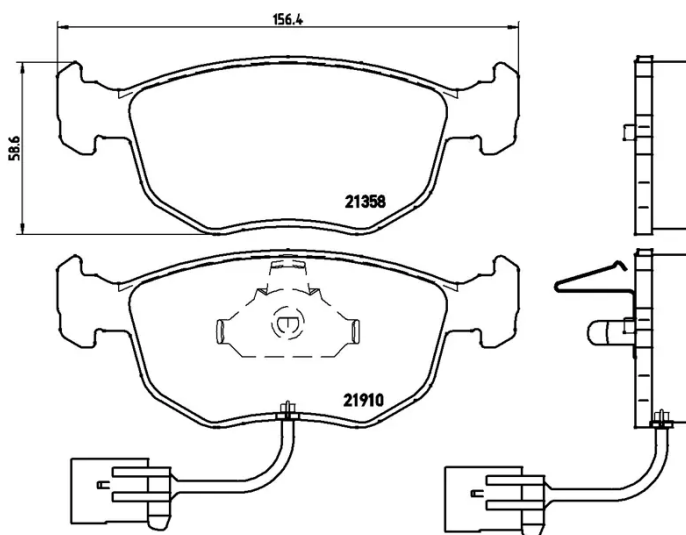
The Brembo brake pad guarantees ultimate safety when braking thanks to the use of more than 100 different compounds, designed according to the type of vehicle and use. Stopping distances reduced to a minimum, maximum driving comfort and silent operation are the most important features of Brembo materials. Brembo brake pads are supplied together with an extensive range of accessories and assembly kits for professional-standard installation.

- ✓ OE-equivalent
- ✓ Brembo quality
- ✓ ECE-R90 certificate
- ✓ Safety
- ✓ Performance
- ✓ Comfort



### Technical specifications

EAN code	Axle	Thickness
8020584052075	Front	20 mm
Width	Height	Braking system
156 mm	59 mm	Teves
Wear indicator	WVA number	Accessories
Electric	21910,21358	With anti-squeal shim



COMPATIBLE VEHICLES

## COMPATIBLE OE PART NUMBERS

1022078 FORD

---

1097769 FORD

---

1145456 FORD

---

6521376 FORD

---

6827587 FORD

---

6877835 FORD

---

6882583 FORD

---

7261716 FORD

---

92GB2K021BA FORD

---

93BB2K021BC FORD

---

93BB2K021DC FORD

---

93BB2K021DD FORD

---

93BX2K021DC FORD

---

93GB2K021BB FORD

---

93GB2K021BC FORD

---

94GB2K021BA FORD

---

94GB2K021BB FORD

---