



# BRAKE PAD

## P 24 038

**The P 24 038 brake pad is synonymous with reliability**

The Brembo brake pad guarantees ultimate safety when braking thanks to the use of more than 100 different compounds, designed according to the type of vehicle and use. Stopping distances reduced to a minimum, maximum driving comfort and silent operation are the most important features of Brembo materials. Brembo brake pads are supplied together with an extensive range of accessories and assembly kits for professional-standard installation.

- ✓ OE-equivalent
- ✓ Brembo quality
- ✓ ECE-R90 certificate
- ✓ Safety
- ✓ Performance
- ✓ Comfort
- ✓ With accessories



## Technical specifications

EAN code  
**8020584052105**

Axle  
**Rear**

Thickness  
**16 mm**

Width  
**116 mm**

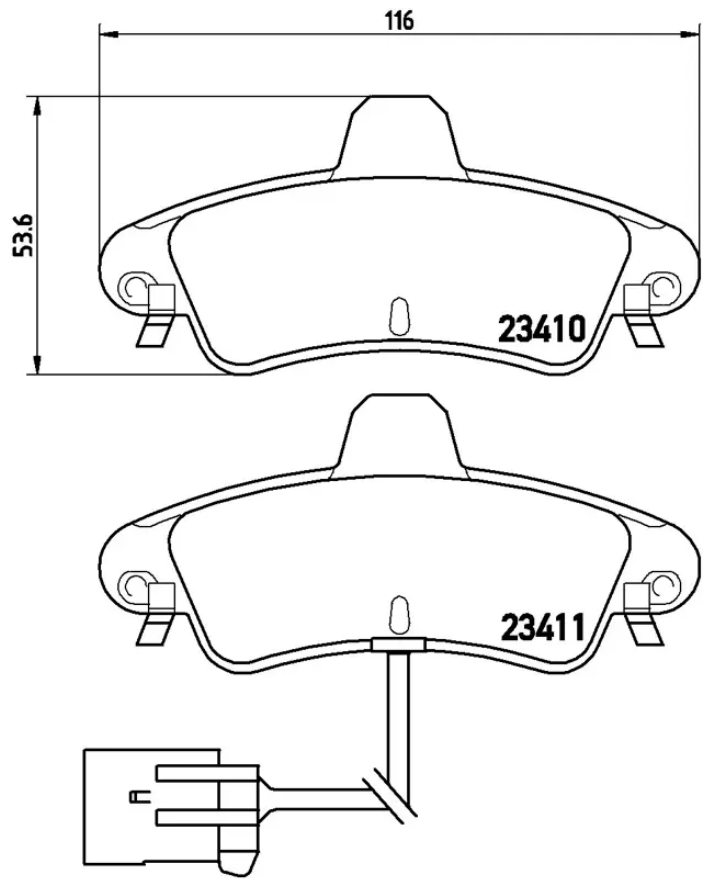
Height  
**54 mm**

Braking system  
**Bosch**

Wear indicator  
**Electric**

WVA number  
**23411,23410**

Accessories  
**With accessories**  
**With anti-squeal shim**



COMPATIBLE VEHICLES

## COMPATIBLE OE PART NUMBERS

1088938	FORD
1089400	FORD
1129886	FORD
1129986	FORD
1204852	FORD
1500668	FORD
1504143	FORD
1672939	FORD
6669780	FORD
7153477	FORD
93BB2008BA	FORD
93BB2M008BA	FORD
93BB2M008BB	FORD
XF722200BA	FORD
XS712M008BA	FORD
XS712M008BB	FORD
XS712M008BC	FORD
XS712M008BD	FORD
XS712M008BE	FORD
XS7J2M008BA	FORD
XS7J2M008BB	FORD
XS7Z2200BA	MERCURY