



# BRAKE PAD

## P 24 064

The P 24 064 brake pad is synonymous with reliability

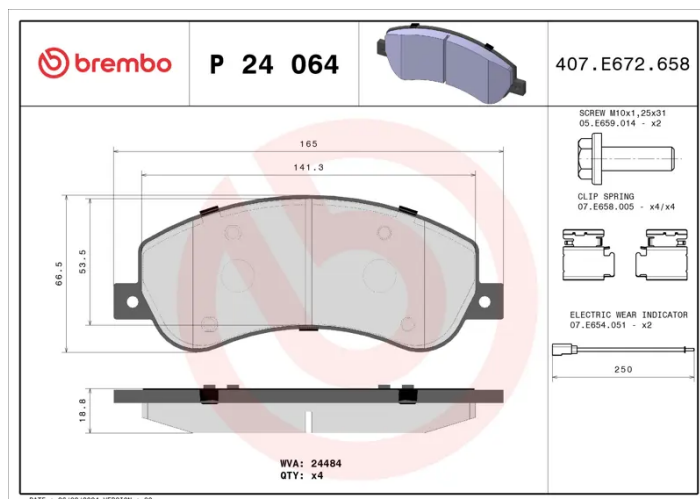
The Brembo brake pad guarantees ultimate safety when braking thanks to the use of more than 100 different compounds, designed according to the type of vehicle and use. Stopping distances reduced to a minimum, maximum driving comfort and silent operation are the most important features of Brembo materials. Brembo brake pads are supplied together with an extensive range of accessories and assembly kits for professional-standard installation.

- ✓ OE-equivalent
- ✓ Brembo quality
- ✓ ECE-R90 certificate
- ✓ Safety
- ✓ Performance
- ✓ Comfort
- ✓ With accessories



### Technical specifications

EAN code <b>8020584059463</b>	Axle <b>Front</b>	Thickness <b>19 mm</b>
Width <b>165 mm</b>	Height <b>67 mm</b>	Braking system <b>Bosch</b>
Wear indicator <b>Electric</b>	WVA number <b>24484</b>	Accessories <b>With brake caliper bolts</b> <b>With accessories</b> <b>With anti-squeal shim</b>



**COMPATIBLE VEHICLES**

## COMPATIBLE OE PART NUMBERS

1121170400	BYD
1170486300	BYD
1248264400	BYD
1270120800	BYD
S6DM3501110	BYD
ST3501500	BYD
1371402	FORD
1433952	FORD
1488962	FORD
1553797	FORD
1560014	FORD
1721087	FORD
1824346	FORD
6C112K021AB	FORD
6C112K021AC	FORD
6C112K021AD	FORD
6C112K021AE	FORD
9C112K021AA	FORD
ME6C1J2K021AA	FORD
ME6C1J2K021AB	FORD
6C1Z2001C	FORD (JMC)