



BRAKE PAD

P 30 106

The P 30 106 brake pad is synonymous with reliability

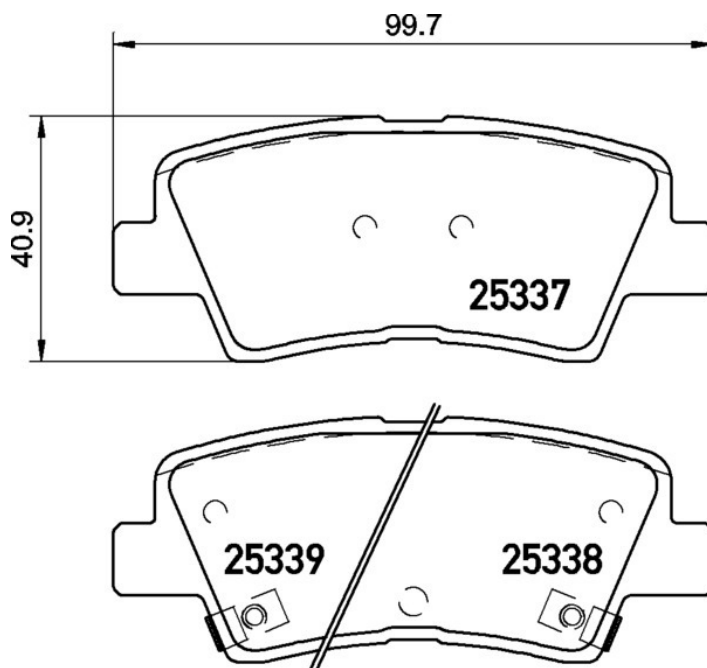
The Brembo brake pad guarantees ultimate safety when braking thanks to the use of more than 100 different compounds, designed according to the type of vehicle and use. Stopping distances reduced to a minimum, maximum driving comfort and silent operation are the most important features of Brembo materials. Brembo brake pads are supplied together with an extensive range of accessories and assembly kits for professional-standard installation.



- ✓ OE-equivalent
- ✓ Brembo quality
- ✓ ECE-R90 certificate
- ✓ Safety
- ✓ Performance
- ✓ Comfort
- ✓ With accessories

Technical specifications

EAN code 8020584115305	Axle Rear	Thickness 16 mm
Width 100 mm	Height 41 mm	Braking system Akebono
Wear indicator Acoustic	WVA number 25339,25337,25338	Accessories With accessories With anti-squeal shim



COMPATIBLE OE PART NUMBERS

58302J9A80

HYUNDAI

58302J9A90

HYUNDAI
