



BRAKE PAD

P 30 153

The P 30 153 brake pad is synonymous with reliability

The Brembo brake pad guarantees ultimate safety when braking thanks to the use of more than 100 different compounds, designed according to the type of vehicle and use. Stopping distances reduced to a minimum, maximum driving comfort and silent operation are the most important features of Brembo materials. Brembo brake pads are supplied together with an extensive range of accessories and assembly kits for professional-standard installation.

- ✓ OE-equivalent
- ✓ Brembo quality
- ✓ ECE-R90 certificate
- ✓ Safety
- ✓ Performance
- ✓ Comfort
- ✓ With accessories



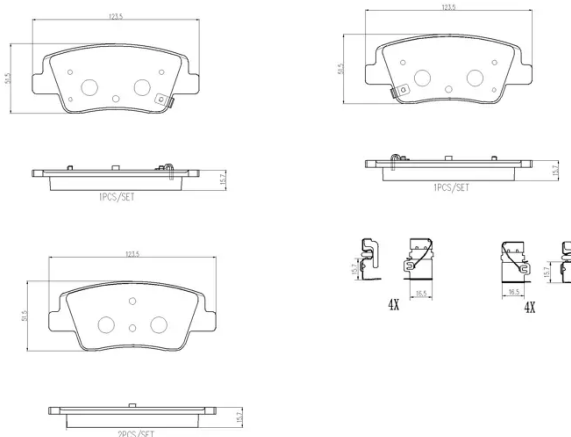
Technical specifications

EAN code **8020584125168** Axle **Rear** Thickness **16 mm**

Width **123 mm** Height **51 mm**

Wear indicator **Acoustic** WVA number **26543,26544,26545**

Accessories
With piston clip
With anti-squeal shim
With accessories



COMPATIBLE VEHICLES

COMPATIBLE OE PART NUMBERS

58302CGA50

HYUNDAI

58302GIA60

HYUNDAI