



# BRAKE PAD

## P 49 048

The P 49 048 brake pad is synonymous with reliability



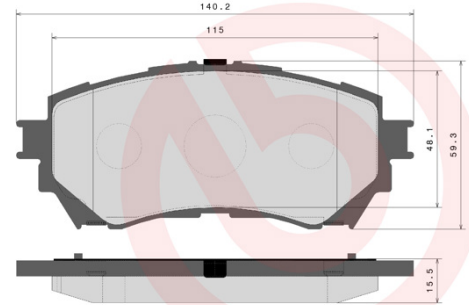

The Brembo brake pad guarantees ultimate safety when braking thanks to the use of more than 100 different compounds, designed according to the type of vehicle and use. Stopping distances reduced to a minimum, maximum driving comfort and silent operation are the most important features of Brembo materials. Brembo brake pads are supplied together with an extensive range of accessories and assembly kits for professional-standard installation.

- ✓ OE-equivalent
- ✓ Brembo quality
- ✓ ECE-R90 certificate
- ✓ Safety
- ✓ Performance
- ✓ Comfort
- ✓ With accessories



### Technical specifications

EAN code <b>8020584110737</b>	Axle <b>Front</b>	Thickness <b>16 mm</b>
Width <b>140 mm</b>	Height <b>60 mm</b>	Braking system <b>Akebono</b>
Wear indicator <b>Without</b>	WVA number <b>25725</b>	Accessories <b>With accessories</b>

	<b>P 49 048</b>		407.E672.111
			WEAR INDICATOR 07.E657.019 - XB 
WVA: 25725 QTY: x4			
<small>DATE : 20/11/2023 VERSION : 00</small>			

COMPATIBLE VEHICLES

## COMPATIBLE OE PART NUMBERS

G4YA3328Z	MAZDA
G4YA3328ZA	MAZDA
G4YA3328ZB	MAZDA
GBYT3328Z	MAZDA
GFY03328Z	MAZDA
GFY13328Z	MAZDA
GHY13328Z	MAZDA
GHY13328Z9C	MAZDA
GHY13328ZB	MAZDA
GHY93328Z	MAZDA
GHY93328ZA	MAZDA
GHY93328ZB	MAZDA
GHY93328ZC	MAZDA
GMY53328Z	MAZDA
GVYB3328Z	MAZDA (FAW)