



BRAKE PAD

P 50 008

The P 50 008 brake pad is synonymous with reliability

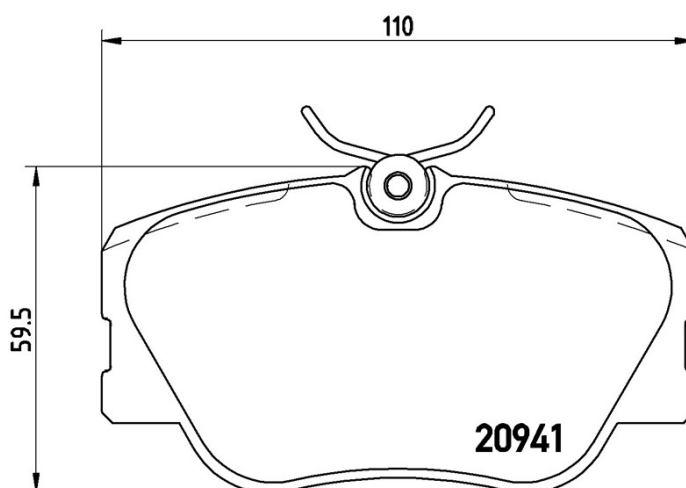
The Brembo brake pad guarantees ultimate safety when braking thanks to the use of more than 100 different compounds, designed according to the type of vehicle and use. Stopping distances reduced to a minimum, maximum driving comfort and silent operation are the most important features of Brembo materials. Brembo brake pads are supplied together with an extensive range of accessories and assembly kits for professional-standard installation.

- ✓ OE-equivalent
- ✓ Brembo quality
- ✓ ECE-R90 certificate
- ✓ Safety
- ✓ Performance
- ✓ Comfort



Technical specifications

EAN code	Axle	Thickness
8020584053805	Front	19 mm
Width	Height	Braking system
110 mm	60 mm	Lucas
Wear indicator	WVA number	Accessories
Without	21028,20941	With brake caliper bolts



COMPATIBLE VEHICLES

COMPATIBLE OE PART NUMBERS

0004200720 MERCEDES-BENZ

0004209920 MERCEDES-BENZ

00042099200005 MERCEDES-BENZ

0014200720 MERCEDES-BENZ

0014201220 MERCEDES-BENZ

001420122005 MERCEDES-BENZ

0024202320 MERCEDES-BENZ

004200720 MERCEDES-BENZ

004209920 MERCEDES-BENZ

0054204420 MERCEDES-BENZ

A0004200720 MERCEDES-BENZ

A0004209920 MERCEDES-BENZ

A00042099200005 MERCEDES-BENZ

A0014200720 MERCEDES-BENZ

A0014201220 MERCEDES-BENZ

A001420122005 MERCEDES-BENZ

A0024202320 MERCEDES-BENZ

A0054204420 MERCEDES-BENZ
