



BRAKE PAD

P 50 074

The P 50 074 brake pad is synonymous with reliability

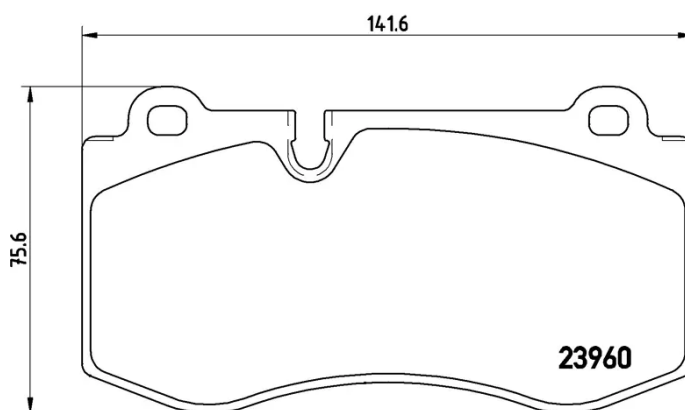
The Brembo brake pad guarantees ultimate safety when braking thanks to the use of more than 100 different compounds, designed according to the type of vehicle and use. Stopping distances reduced to a minimum, maximum driving comfort and silent operation are the most important features of Brembo materials. Brembo brake pads are supplied together with an extensive range of accessories and assembly kits for professional-standard installation.

- ✓ OE-equivalent
- ✓ Brembo quality
- ✓ ECE-R90 certificate
- ✓ Safety
- ✓ Performance
- ✓ Comfort



Technical specifications

EAN code	Axle	Thickness
8020584061138	Front	18 mm
Width	Height	Braking system
142 mm	76 mm	Brembo
Wear indicator	WVA number	Accessories
Prepared for wear indicator	23960	With anti-squeal shim



COMPATIBLE VEHICLES

COMPATIBLE OE PART NUMBERS

0004209204 MERCEDES-BENZ

0044206220 MERCEDES-BENZ

0044208020 MERCEDES-BENZ

004420802064 MERCEDES-BENZ

0054207820 MERCEDES-BENZ

A0004209204 MERCEDES-BENZ

A0044206220 MERCEDES-BENZ

A0044208020 MERCEDES-BENZ

A0054207820 MERCEDES-BENZ
