



BRAKE PAD

P 59 051

The P 59 051 brake pad is synonymous with reliability

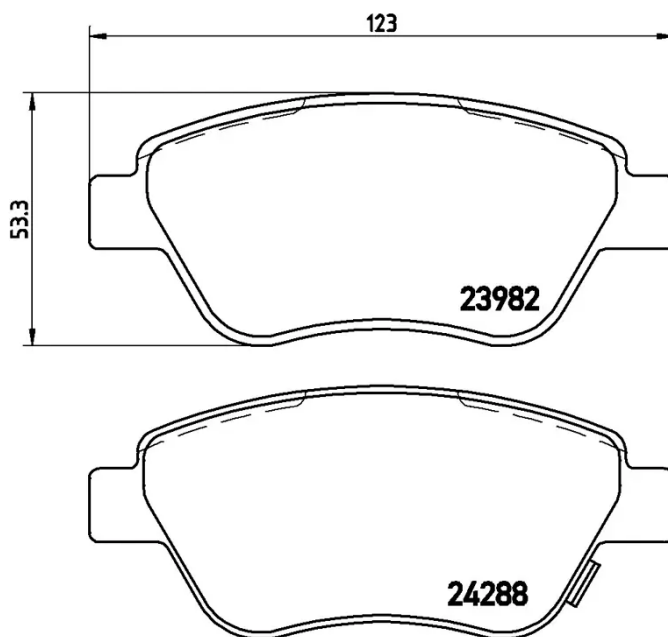
The Brembo brake pad guarantees ultimate safety when braking thanks to the use of more than 100 different compounds, designed according to the type of vehicle and use. Stopping distances reduced to a minimum, maximum driving comfort and silent operation are the most important features of Brembo materials. Brembo brake pads are supplied together with an extensive range of accessories and assembly kits for professional-standard installation.



- ✓ OE-equivalent
- ✓ Brembo quality
- ✓ ECE-R90 certificate
- ✓ Safety
- ✓ Performance
- ✓ Comfort
- ✓ With accessories

Technical specifications

EAN code 8020584061558	Axle Front	Thickness 18 mm
Width 123 mm	Height 53 mm	Braking system Bosch
Wear indicator Acoustic	WVA number 23982,24288	Accessories With accessories With anti-squeal shim With brake caliper bolts



COMPATIBLE VEHICLES

COMPATIBLE OE PART NUMBERS

93189815 GENERAL MOTORS

93191698 GENERAL MOTORS

1605258 OPEL

1605353 OPEL

1605357 OPEL

1605359 OPEL

1680880580 OPEL

93167073 OPEL

93169174 OPEL

93169254 OPEL

93191697 OPEL

93191698 OPEL

1605226 VAUXHALL

93169174 VAUXHALL

93169254 VAUXHALL
