



BRAKE PAD

P 59 092

The P 59 092 brake pad is synonymous with reliability

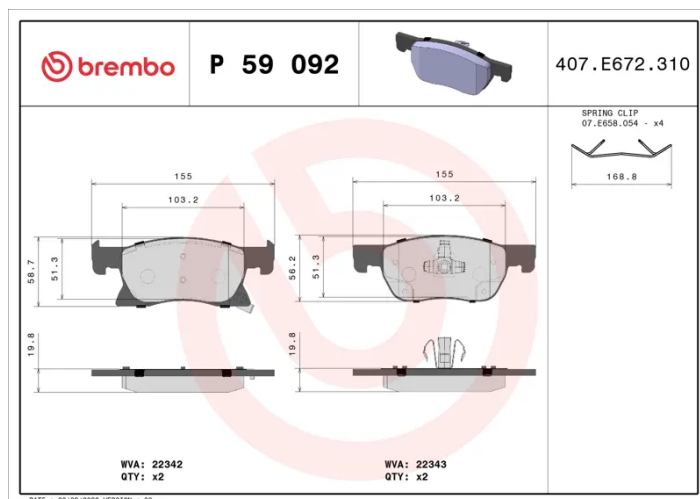
The Brembo brake pad guarantees ultimate safety when braking thanks to the use of more than 100 different compounds, designed according to the type of vehicle and use. Stopping distances reduced to a minimum, maximum driving comfort and silent operation are the most important features of Brembo materials. Brembo brake pads are supplied together with an extensive range of accessories and assembly kits for professional-standard installation.

- ✓ OE-equivalent
- ✓ Brembo quality
- ✓ ECE-R90 certificate
- ✓ Safety
- ✓ Performance
- ✓ Comfort
- ✓ With accessories



Technical specifications

EAN code 8020584084519	Axle Front	Thickness 20 mm
Width 155 mm	Height 59 mm	Braking system Teves
Wear indicator Acoustic	WVA number 22342,22343	Accessories With piston clip With accessories With anti-squeal shim



COMPATIBLE VEHICLES

COMPATIBLE OE PART NUMBERS

13478300	OPEL
----------	------

39103797	OPEL
----------	------

95526566	OPEL
----------	------

39103797	VAUXHALL
----------	----------
