



BRAKE PAD XTRA P 78 020X

The P 78 020X Xtra brake pad is synonymous with reliability

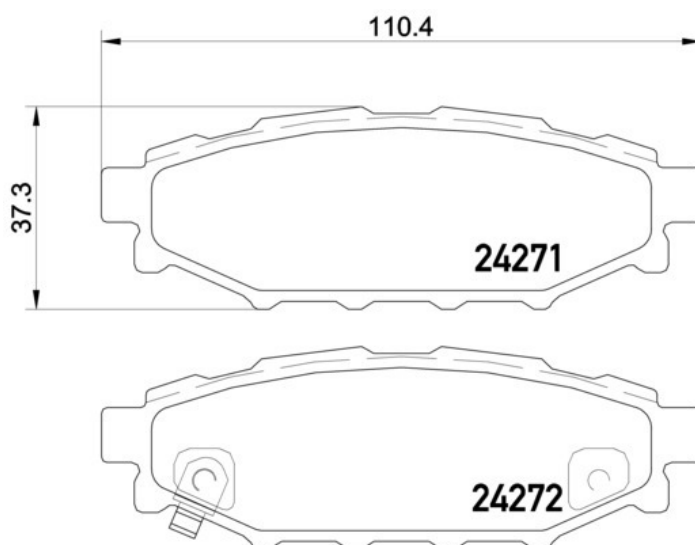
Brembo Xtra brake pads, developed to enhance the advantages of the Xtra and Max discs, are made using the special BRM X L01 compound which consists of more than 30 different components. Compared with the compound used for original-equivalent pads, the new solution assures a higher friction coefficient, which translates to more precise and stable braking, at both high and low temperatures. All this makes for greater driving comfort and improved pedal modularity, without compromising the product's mileage output.



- ✓ OE-equivalent
- ✓ Brembo quality
- ✓ ECE-R90 certificate
- ✓ Safety
- ✓ Performance
- ✓ Sports driving

Technical specifications

EAN code	Axle	Thickness
8020584121856	Rear	15 mm
Width	Height	Braking system
110 mm	37 mm	Akebono
Wear indicator	WVA number	
Acoustic	24271,24272	



COMPATIBLE VEHICLES

COMPATIBLE OE PART NUMBERS

26696AG010	SUBARU
------------	--------

26696AG030	SUBARU
------------	--------

26696AG031	SUBARU
------------	--------

26696AG050	SUBARU
------------	--------

26696AG051	SUBARU
------------	--------

26696FJ000	SUBARU
------------	--------

SU00304096	TOYOTA
------------	--------

SU00304097	TOYOTA
------------	--------