



# BRAKE PAD XTRA

## P 83 066X

The P 83 066X Xtra brake pad is synonymous with reliability

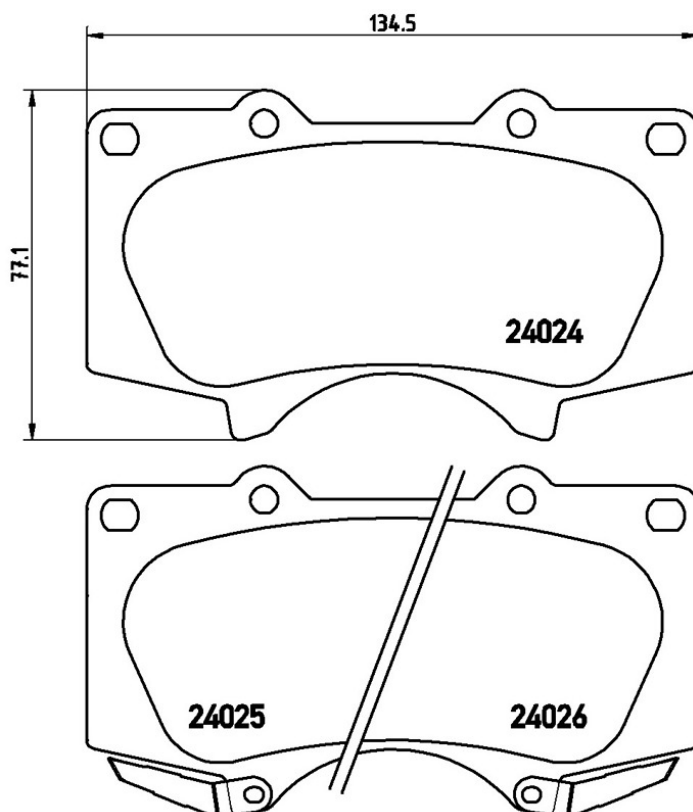
Brembo Xtra brake pads, developed to enhance the advantages of the Xtra and Max discs, are made using the special BRM X L01 compound which consists of more than 30 different components. Compared with the compound used for original-equivalent pads, the new solution assures a higher friction coefficient, which translates to more precise and stable braking, at both high and low temperatures. All this makes for greater driving comfort and improved pedal modularity, without compromising the product's mileage output.



- ✓ OE-equivalent
- ✓ Brembo quality
- ✓ ECE-R90 certificate
- ✓ Safety
- ✓ Performance
- ✓ Sports driving

### Technical specifications

EAN code	Axle	Thickness
<b>8020584121863</b>	<b>Front</b>	<b>18 mm</b>
Width	Height	Braking system
<b>135 mm</b>	<b>77 mm</b>	<b>Sumitomo</b>
Wear indicator	WVA number	
<b>Acoustic</b>	<b>24025,24026,24024</b>	



## COMPATIBLE OE PART NUMBERS

4605A472	mitsubishi
4605A481	mitsubishi
4605B994	mitsubishi
MZ690355	mitsubishi
MZ690567	mitsubishi
MZ690583	mitsubishi
TS200048	mitsubishi
0446504070	toyota
044650K030	toyota
044650K090	toyota
0446535250	toyota
0446560210	toyota
04465AZ001	toyota
04465AZ100	toyota
04465YZZDB	toyota