



SP BRAKE PAD 07BB03SP

The 07BB03SP brake pad is synonymous with reliability

Sintered compound, for rear application and stable in all conditions of use.

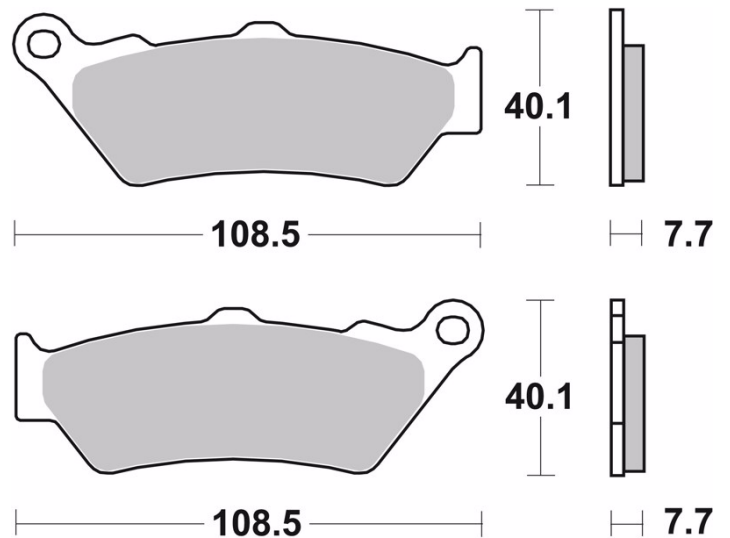
- ✓ OE-equivalent
- ✓ Brembo quality
- ✓ ECE-R90 certificate
- ✓ Safety
- ✓ Comfort



Technical specifications

Width **0 mm** Height **40 mm** Thickness **8 mm**

Compound **Sinter** Units per box **2**



COMPATIBLE VEHICLES