



BRAKE DISC MAX

08.5086.75

The 08.5086.75 Max brake disc is synonymous with reliability

The Brembo Max brake disc features grooves on the braking surface. The special shape of the grooves generates greater fading resistance and constant renewal of friction material, quickly restoring optimum braking conditions. The UV paint completes the sporty look.

- ✓ Brembo quality
- ✓ ECE-R90 certificate
- ✓ Performance
- ✓ Sports driving
- ✓ Sporty look
- ✓ Anti-corrosion
- ✓ Fastening screws



Technical specifications



EAN code
8020584011874

Axle
Front

Diameter Ø
257 mm

Thickness (TH)
12 mm

Height (A)
41 mm

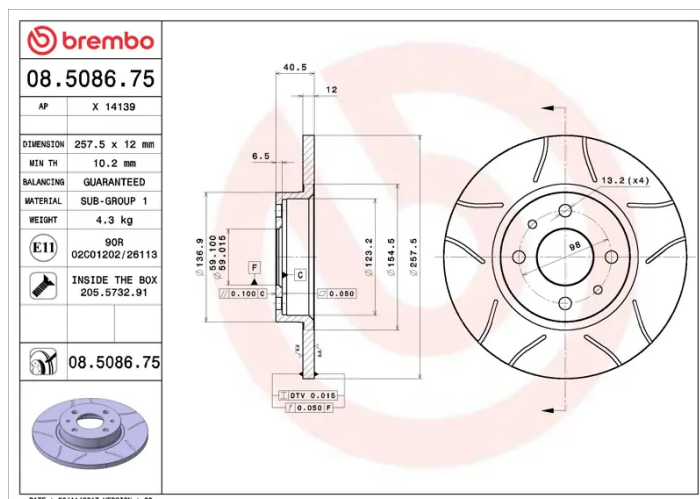
Number of holes (C)
4

Brake disc type
Solid

Centering (B)
59 mm

Min. thickness
10,2 mm

Tightening torque
86 Nm



COMPATIBLE VEHICLES

COMPATIBLE OE PART NUMBERS

71772241	ALFA ROMEO
----------	------------

51859075	CHRYSLER
----------	----------

51859075	FIAT
----------	------

51866265	FIAT
----------	------

71772241	FIAT
----------	------

51859075	LANCIA
----------	--------

51866265	LANCIA
----------	--------