



# BRAKE DISC

## 09.A532.10

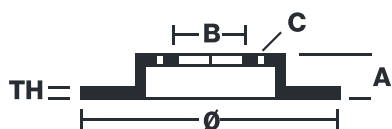
The **09.A532.10** brake disc is synonymous with reliability

The Brembo brake disc is fully interchangeable with an Original Equipment brake disc. The control of the entire production cycle allows Brembo to offer brake discs with outstanding performance levels, reliability, durability and comfort in all conditions of use. All Brembo brake discs are accompanied by the ECE-R90 homologation.

- ✓ OE-equivalent
- ✓ Brembo quality
- ✓ ECE-R90 certificate
- ✓ Safety
- ✓ Fastening screws



### Technical specifications



EAN code  
**8020584028483**

Axle  
**Front**

Diameter Ø  
**300** mm

Thickness (TH)  
**28** mm

Height (A)  
**47** mm

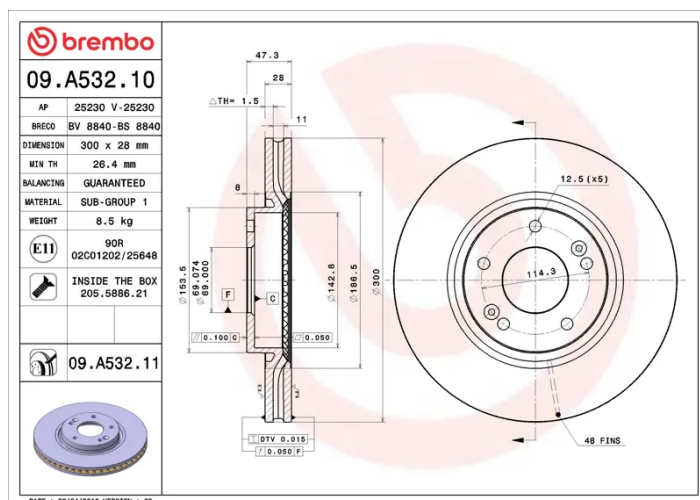
Number of holes (C)  
**5**

Brake disc type  
**Ventilated**

Centering (B)  
**69** mm

Min. thickness  
**26,4** mm

Tightening torque  
**100** Nm



COMPATIBLE VEHICLES

## COMPATIBLE OE PART NUMBERS

517122Y000	HYUNDAI
------------	---------

517123K100	HYUNDAI
------------	---------

517123K110	HYUNDAI
------------	---------

517123K150	HYUNDAI
------------	---------

517123K160	HYUNDAI
------------	---------

5517123K160A	HYUNDAI
--------------	---------

517123K110	HYUNDAI (BEIJING)
------------	-------------------

517123K160	HYUNDAI (BEIJING)
------------	-------------------

517122Y000	KIA
------------	-----

517123K100	KIA
------------	-----

517123K110	KIA
------------	-----

517123K150	KIA
------------	-----

517123K160	KIA
------------	-----

5517123K160	KIA
-------------	-----

5517123K160A	KIA
--------------	-----

517123K110	KIA (DYK)
------------	-----------

517123K160	KIA (DYK)
------------	-----------