



BRAKE DISC

09.B621.10

The **09.B621.10** brake disc is synonymous with reliability

The Brembo brake disc is fully interchangeable with an Original Equipment brake disc. The control of the entire production cycle allows Brembo to offer brake discs with outstanding performance levels, reliability, durability and comfort in all conditions of use. All Brembo brake discs are accompanied by the ECE-R90 homologation.

- ✓ OE-equivalent
- ✓ Brembo quality
- ✓ ECE-R90 certificate
- ✓ Safety
- ✓ Fastening screws



Technical specifications



EAN code
8020584036488

Axle
Front

Diameter Ø
300 mm

Thickness (TH)
28 mm

Height (A)
47 mm

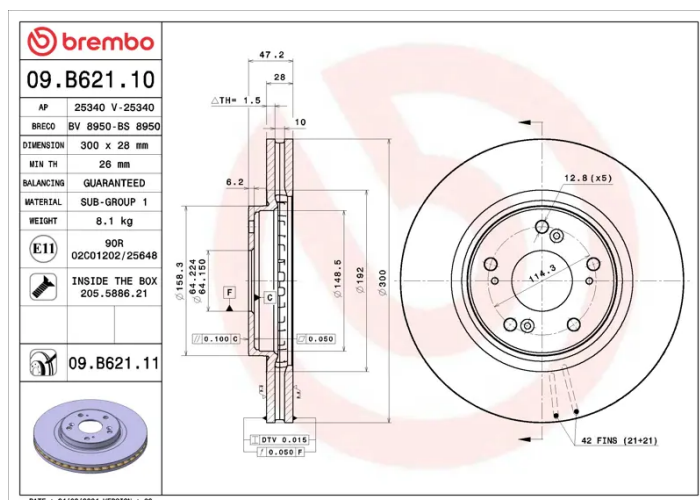
Number of holes (C)
5

Brake disc type
Ventilated

Centering (B)
64 mm

Min. thickness
26 mm

Tightening torque
108 Nm



COMPATIBLE VEHICLES

COMPATIBLE OE PART NUMBERS

45251SEAJ01	ACURA
-------------	-------

45251TA1A00	ACURA
-------------	-------

45251TA1A01	ACURA
-------------	-------

45251TB0W00	ACURA
-------------	-------

45251SEAJ01	HONDA
-------------	-------

45251TA1A00	HONDA
-------------	-------

45251TA1A01	HONDA
-------------	-------

45251TB0W00	HONDA (DONGFENG)
-------------	------------------

45251TB0W00	HONDA (GAC)
-------------	-------------

45251TA1A01	PROTON
-------------	--------