



BRAKE DISC XTRA

09.C542.1X

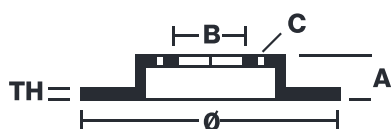
The 09.C542.1X Xtra brake disc is synonymous with reliability

The Brembo Xtra brake disc features holes on the braking surface. The holes are designed to improve the cooling of the braking system, to generate greater fading resistance and grip in the initial stages of braking. The sports look is also enhanced by the presence of the UV paint.



- ✓ Brembo quality
- ✓ ECE-R90 certificate
- ✓ Performance
- ✓ Sports driving
- ✓ Sporty look
- ✓ High carbon
- ✓ Anti-corrosion
- ✓ PVT ventilation

Technical specifications



EAN code
8020584239483

Axle
Front

Diameter Ø
320 mm

Thickness (TH)
25 mm

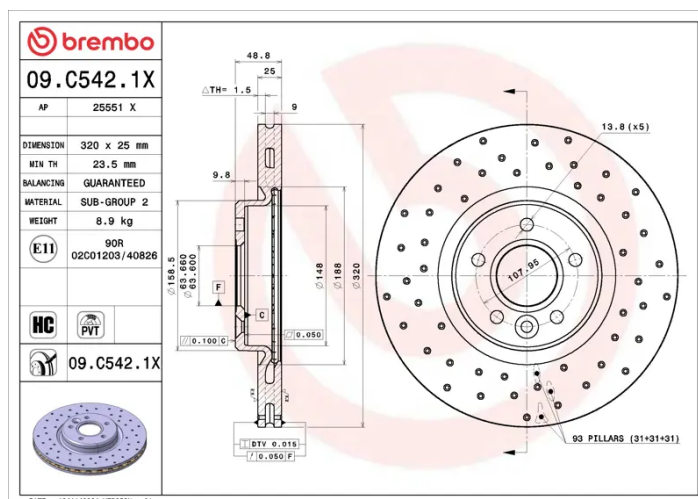
Height (A)
49 mm

Number of holes (C)
5

Brake disc type
Ventilated

Centering (B)
64 mm

Min. thickness
23,5 mm



COMPATIBLE VEHICLES

COMPATIBLE OE PART NUMBERS

1677434	FORD
1724956	FORD
1746793	FORD
1770767	FORD
1829608	FORD
1844117	FORD
3M512C375CB	FORD
3M512C375CC	FORD
3M512C375CD	FORD
3M512C375CE	FORD
9M512C375AA	FORD
CV611125FA	FORD
CV611125GA	FORD
CV6Z1125D	FORD
DV611125FA	FORD
BRRF97	FORD ASIA & OCEANIA
CV6Z1125B	FORD ASIA & OCEANIA
CV6Z1125B	FORD USA
BRRF291	LINCOLN
CV6Z1125D	LINCOLN