



BRAKE PAD PRIME CERAMIC P11023N

The P11023N NAO brake pad is synonymous with reliability

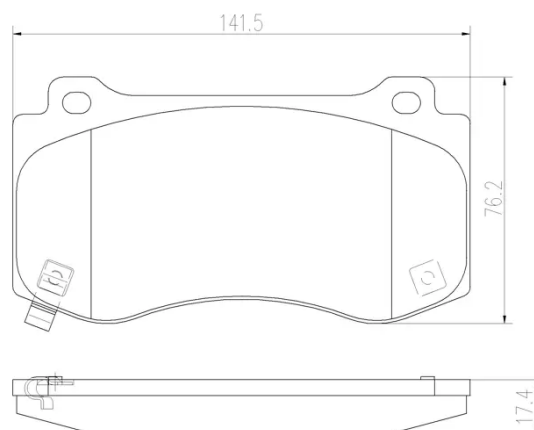
Brembo NAO brake pads stand out for their ultimate braking comfort, reduced friction wear and low dust mission, which makes for cleaner rims and reduced maintenance requirements. The advanced friction material in keeping with the strictest environmental standards is the main distinguishing feature of NAO compounds.

- ✓ OE-equivalent
- ✓ Brembo quality
- ✓ Safety
- ✓ Comfort
- ✓ Durability
- ✓ Dust reduction
- ✓ With accessories



Technical specifications

EAN code 8020584083284	Axle Front	Thickness 17 mm
Width 142 mm	Height 76 mm	Braking system Brembo
Wear indicator Acoustic	WVA number 24075	Accessories With anti-squeal shim



4 PCS/SET

COMPATIBLE VEHICLES

COMPATIBLE OE PART NUMBERS

00K68144213AB CHRYSLER

05174311AA CHRYSLER

05174311AB CHRYSLER

05174311AC CHRYSLER

068144213AA CHRYSLER

5174311AA CHRYSLER

5174311AB CHRYSLER

5174311AC CHRYSLER

68144213AA CHRYSLER

68144213AB CHRYSLER

K05174311AC CHRYSLER

107859842 DODGE

00K68002193AA JEEP

68002193AA JEEP

K68002193AA JEEP
