

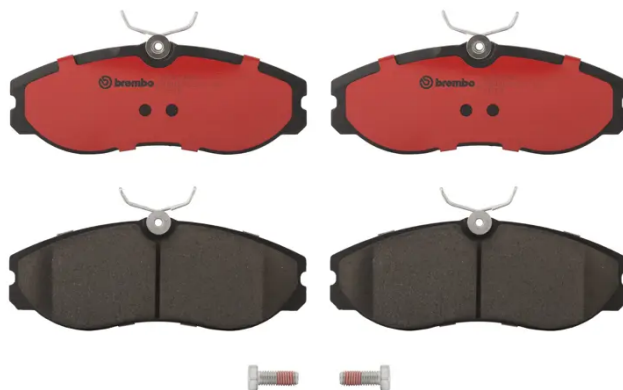


# BRAKE PAD PRIME CERAMIC P24039N

The P24039N NAO brake pad is  
synonymous with reliability



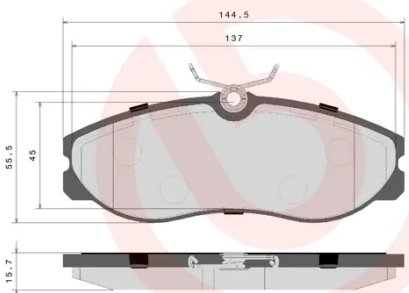

Brembo NAO brake pads stand out for their ultimate braking comfort, reduced friction wear and low dust mission, which makes for cleaner rims and reduced maintenance requirements. The advanced friction material in keeping with the strictest environmental standards is the main distinguishing feature of NAO compounds.

- ✓ OE-equivalent
- ✓ Brembo quality
- ✓ Safety
- ✓ Comfort
- ✓ Durability
- ✓ Dust reduction
- ✓ With accessories



## Technical specifications

EAN code <b>8020584088395</b>	Axle <b>Front</b>	Thickness <b>16 mm</b>
Width <b>145 mm</b>	Height <b>56 mm</b>	Braking system <b>Lucas</b>
Wear indicator <b>Without</b>	WVA number <b>21481</b>	Accessories <b>With brake caliper bolts</b> <b>With accessories</b> <b>With anti-squeal shim</b>

	<b>P24039N</b>		407.E672.358.N
			SCREW M8x1.25x21 05.E659.000 - X2 
WVA: 21481 QTY: x4			
<small>DATE : 04/12/2023 VERSION : 00</small>			

COMPATIBLE VEHICLES

## COMPATIBLE OE PART NUMBERS

1203933 FORD

---

1495951 FORD

---

1954459 FORD

---

1954460 FORD

---

1956495 FORD

---

1957042 FORD

---

1L4J2K021AA FORD

---

1L4J2K021AB FORD

---

410600F025 NISSAN

---

410602X825 NISSAN

---

410609C125 NISSAN

---

410609C525 NISSAN

---

410609C526 NISSAN

---

D10602X80A NISSAN

---