



BRAKE PAD PRIME CERAMIC P24181N

The P24181N NAO brake pad is synonymous with reliability

Brembo NAO brake pads stand out for their ultimate braking comfort, reduced friction wear and low dust mission, which makes for cleaner rims and reduced maintenance requirements. The advanced friction material in keeping with the strictest environmental standards is the main distinguishing feature of NAO compounds.

- ✓ OE-equivalent
- ✓ Brembo quality
- ✓ Safety
- ✓ Comfort
- ✓ Durability
- ✓ Dust reduction
- ✓ With accessories

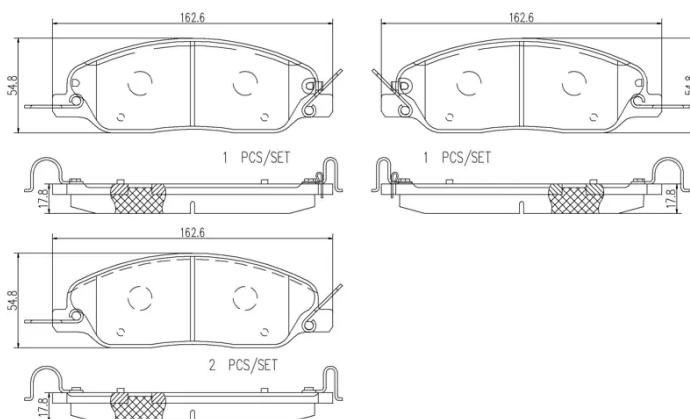


Technical specifications

EAN code Axle Thickness
8020584082164 **Front** **18 mm**

Width Height
163 mm **55 mm**

Wear indicator Accessories
Acoustic **With piston clip**
 With anti-squeal shim
 With accessories



COMPATIBLE VEHICLES

COMPATIBLE OE PART NUMBERS

4R332001AB	FORD
4R332001BA	FORD
4R3Z2001AA	FORD
4R3Z2001BA	FORD
6R332001AA	FORD
6R3Z2001A	FORD
7R332001AA	FORD
7R3Z2001B	FORD
8R332001CA	FORD
8R3Z2001A	FORD
9R331001AA	FORD
9R332001AA	FORD
9R3Z2001A	FORD
9R3Z2001B	FORD
BR3Z2001D	FORD
9R3Z2001B	FORD USA