



# BRAKE PAD PRIME CERAMIC

## P24217N

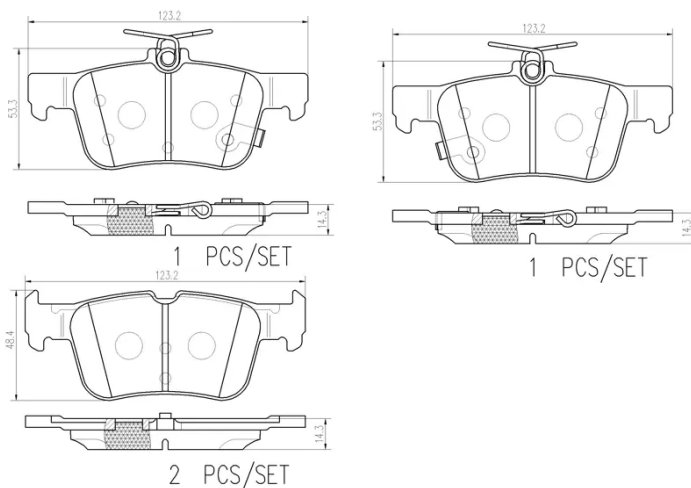
The P24217N NAO brake pad is synonymous with reliability

Brembo NAO brake pads stand out for their ultimate braking comfort, reduced friction wear and low dust mission, which makes for cleaner rims and reduced maintenance requirements. The advanced friction material in keeping with the strictest environmental standards is the main distinguishing feature of NAO compounds.

- ✓ OE-equivalent
- ✓ Brembo quality
- ✓ Safety
- ✓ Comfort
- ✓ Durability
- ✓ Dust reduction
- ✓ With accessories

### Technical specifications

EAN code <b>8020584117545</b>	Axle <b>Rear</b>	Thickness <b>14 mm</b>
Width <b>123 mm</b>	Height <b>48 mm</b>	Braking system <b>ATE</b>
Wear indicator <b>Acoustic</b>	WVA number <b>22231,22232,22233</b>	Accessories <b>With anti-squeal shim</b>



COMPATIBLE VEHICLES

## COMPATIBLE OE PART NUMBERS

2209329 FORD

---

2247444 FORD

---

2367295 FORD

---

2379248 FORD

---

2433333 FORD

---

2493719 FORD

---

2494035 FORD

---

BRF1954 FORD

---

JX6Z2200E FORD

---

KTJ1GC2M007AC FORD

---

KTJX612M007ACC FORD

---

KTJX612M007AEB FORD

---

KTJX612M007AEC FORD

---

KTJX612M007AED FORD

---

KTJX6612M007AED FORD

---

KTLX612M007BEA FORD

---