



# BRAKE PAD PRIME CERAMIC P28023N

The P28023N NAO brake pad is synonymous with reliability

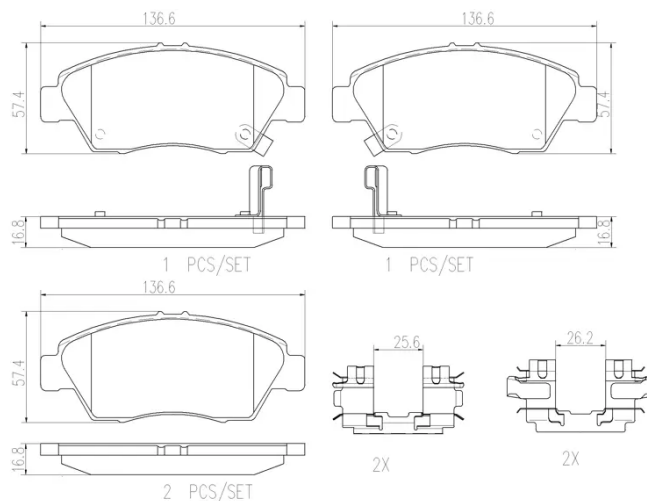
Brembo NAO brake pads stand out for their ultimate braking comfort, reduced friction wear and low dust mission, which makes for cleaner rims and reduced maintenance requirements. The advanced friction material in keeping with the strictest environmental standards is the main distinguishing feature of NAO compounds.

- ✓ OE-equivalent
- ✓ Brembo quality
- ✓ Safety
- ✓ Comfort
- ✓ Durability
- ✓ Dust reduction
- ✓ With accessories



## Technical specifications

EAN code <b>8020584097649</b>	Axle <b>Front</b>	Thickness <b>17 mm</b>
Width <b>137 mm</b>	Height <b>57 mm</b>	Braking system <b>Akebono</b>
Wear indicator <b>Acoustic</b>	WVA number <b>21694,21695,21696</b>	Accessories <b>With anti-squeal shim</b>



COMPATIBLE VEHICLES

## COMPATIBLE OE PART NUMBERS

4502S7A000 ACURA

06450S5AE50 HONDA

06450S5AG00 HONDA

06450S5AJ00 HONDA

06450S5BJ00 HONDA

06450S7AJ00 HONDA

45022S04V10 HONDA

45022S04V00 HONDA

45022S04V01 HONDA

45022S04V02 HONDA

45022S04V03 HONDA

45022S04V10 HONDA

45022S04V11 HONDA

45022S04V12 HONDA

45022S5AE50 HONDA

45022S5AG00 HONDA

45022S5AG01 HONDA

45022S5AJ00 HONDA

45022S5AJ01 HONDA

45022S5BE00 HONDA

45022S5BJ00 HONDA

45022S5BJ01 HONDA

45022S5HT00 HONDA

45022S7A010 HONDA

45022SCC000 HONDA

45022SLNA01 HONDA

45022SLNA02 HONDA

45022SO4V10 HONDA

45022SO4V11 HONDA

45022SO4V12 HONDA

45022SR3V00 HONDA

45022SR3V01 HONDA

45022SR3V02 HONDA

45022SR3V03 HONDA

45022SR3V10 HONDA

45022SR3V11 HONDA

45022SR3V12 HONDA

45022TG0T00 HONDA

45022TR2A00 HONDA

45022TR2A01 HONDA

H4502S04003 HONDA

H4502S7A003 HONDA

H4502SCC003 HONDA

586005260 ISUZU

5860052600 ISUZU

586005261	ISUZU
5860052610	ISUZU
586009207	ISUZU
5860092070	ISUZU
586014123	ISUZU
5860141230	ISUZU
586014456	ISUZU
5860144560	ISUZU
586014834	ISUZU
5860148340	ISUZU
AY040HN007	NISSAN