



BRAKE PAD NAO P30018N

The P30018N NAO brake pad is synonymous with reliability

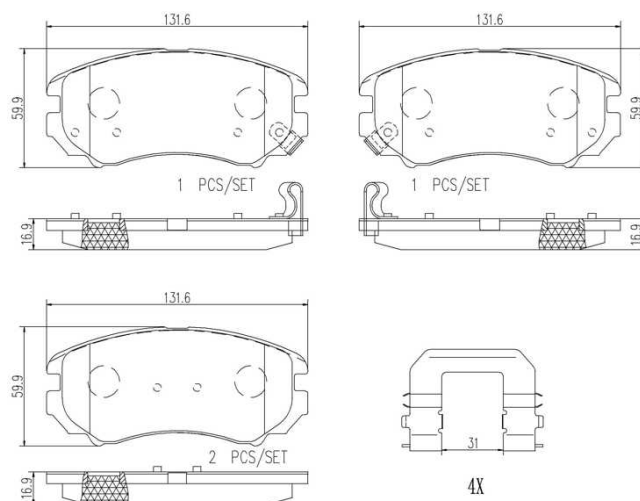
Brembo NAO brake pads stand out for their ultimate braking comfort, reduced friction wear and low dust mission, which makes for cleaner rims and reduced maintenance requirements. The advanced friction material in keeping with the strictest environmental standards is the main distinguishing feature of NAO compounds.

- ✓ OE-equivalent
- ✓ Brembo quality
- ✓ Safety
- ✓ Comfort
- ✓ Durability
- ✓ Dust reduction
- ✓ With accessories



Technical specifications

| | | |
|-----------------------------------|--|--|
| EAN code 8020584097977 | Axle Front | Thickness 17 mm |
| Width 132 mm | Height 60 mm | Braking system Mando |
| Wear indicator Acoustic | WVA number 23891,23892,23893 | Accessories With accessories With anti-squeal shim |



COMPATIBLE VEHICLES

COMPATIBLE OE PART NUMBERS

| | |
|---------------|-------------------|
| 3501130140W01 | CHANGAN |
| 3501130240W01 | CHANGAN |
| 51010620300 | CHANGAN |
| 51010620301 | CHANGAN |
| T1C3501080 | CHERY |
| 22922074 | CHEVROLET (SGM) |
| 3501500FB01 | FENGON |
| 3501500SC01 | FENGON |
| 3501531FB01 | FENGON |
| 581010SA40 | HORKI (DYK) |
| 581011FA50 | HYUNDAI |
| 581012CA10 | HYUNDAI |
| 581012CA11 | HYUNDAI |
| 581012CA20 | HYUNDAI |
| 581012EA10 | HYUNDAI |
| 581012EA11 | HYUNDAI |
| 581012EA20 | HYUNDAI |
| 581012EA21 | HYUNDAI |
| 581012GA01 | HYUNDAI |
| 581012HA00 | HYUNDAI |
| 581012HA10 | HYUNDAI |
| 5810138A80 | HYUNDAI |
| 5810138A81 | HYUNDAI |
| 5810138A90 | HYUNDAI |
| 581013KA01 | HYUNDAI |
| 581013KA50 | HYUNDAI |
| 581013KA61 | HYUNDAI |
| 581014QA00 | HYUNDAI |
| 581013KA60 | HYUNDAI (BEIJING) |
| 58101C3A00 | HYUNDAI (BEIJING) |
| H5810138A90 | HYUNDAI (BEIJING) |
| 581011FE00 | KIA |
| 581011FE01 | KIA |
| 581012KA00 | KIA |
| 581012KA10 | KIA |
| 581012KA51 | KIA |
| 581013CA70 | KIA |
| 581013CA80 | KIA |
| S581011FE01 | KIA |
| 581012XA00 | KIA (DYK) |
| 58101D6A20 | KIA (DYK) |
| 3501130W01 | LANDWIND (JMC) |