



BRAKE PAD PRIME CERAMIC P30079N

The P30079N NAO brake pad is synonymous with reliability

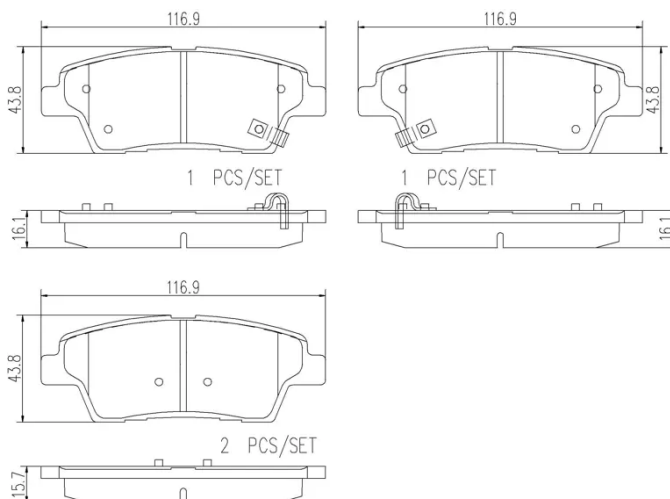
Brembo NAO brake pads stand out for their ultimate braking comfort, reduced friction wear and low dust mission, which makes for cleaner rims and reduced maintenance requirements. The advanced friction material in keeping with the strictest environmental standards is the main distinguishing feature of NAO compounds.

- ✓ OE-equivalent
- ✓ Brembo quality
- ✓ Safety
- ✓ Comfort
- ✓ Durability
- ✓ Dust reduction
- ✓ With accessories



Technical specifications

EAN code 8020584082904	Axle Rear	Thickness 16 mm
Width 117 mm	Height 44 mm	Braking system Hyundai
Wear indicator Acoustic	WVA number 22339,22340,22338	Accessories With piston clip With accessories With anti-squeal shim



COMPATIBLE VEHICLES

COMPATIBLE OE PART NUMBERS

583023MA30	HYUNDAI
58302B1A30	HYUNDAI
583023MA30	KIA