

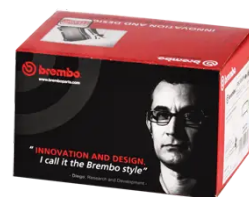


BRAKE PAD PRIME CERAMIC P44001N

The P44001N NAO brake pad is synonymous with reliability

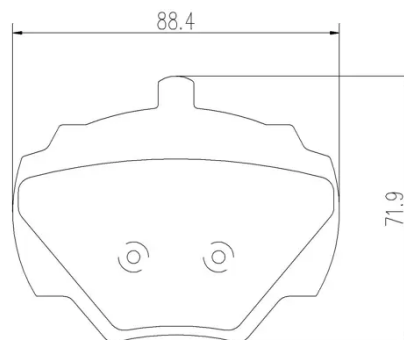
Brembo NAO brake pads stand out for their ultimate braking comfort, reduced friction wear and low dust mission, which makes for cleaner rims and reduced maintenance requirements. The advanced friction material in keeping with the strictest environmental standards is the main distinguishing feature of NAO compounds.

- ✓ OE-equivalent
- ✓ Brembo quality
- ✓ Safety
- ✓ Comfort
- ✓ Durability
- ✓ Dust reduction
- ✓ With accessories



Technical specifications

EAN code	Axle	Thickness
8020584080627	Rear	15 mm
Width	Height	Braking system
88 mm	72 mm	Lockheed
Wear indicator	WVA number	Accessories
Without	20344	With anti-squeal shim



4 PSC/SET



COMPATIBLE VEHICLES

COMPATIBLE OE PART NUMBERS

GBP266	LAND ROVER
--------	------------

GBP271	LAND ROVER
--------	------------

LR032954	LAND ROVER
----------	------------

RTC3164	LAND ROVER
---------	------------

SFP000150	LAND ROVER
-----------	------------

SFP000270	LAND ROVER
-----------	------------

SFP500190	LAND ROVER
-----------	------------

SFP500200	LAND ROVER
-----------	------------

STC1276	LAND ROVER
---------	------------

STC2953	LAND ROVER
---------	------------

STC8569	LAND ROVER
---------	------------

STC8570	LAND ROVER
---------	------------

STC8574	LAND ROVER
---------	------------

STC9147	LAND ROVER
---------	------------