



# BRAKE PAD PRIME CERAMIC P44017N

The P44017N NAO brake pad is synonymous with reliability

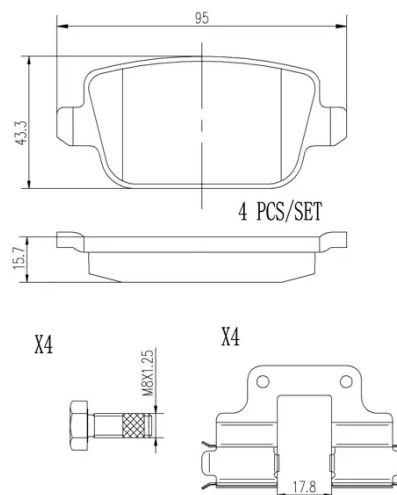
Brembo NAO brake pads stand out for their ultimate braking comfort, reduced friction wear and low dust mission, which makes for cleaner rims and reduced maintenance requirements. The advanced friction material in keeping with the strictest environmental standards is the main distinguishing feature of NAO compounds.

- ✓ OE-equivalent
- ✓ Brembo quality
- ✓ Safety
- ✓ Comfort
- ✓ Durability
- ✓ Dust reduction
- ✓ With accessories



## Technical specifications

EAN code <b>8020584088722</b>	Axle <b>Rear</b>	Thickness <b>16 mm</b>
Width <b>95 mm</b>	Height <b>43 mm</b>	Braking system <b>TRW</b>
Wear indicator <b>Without</b>	WVA number <b>24537</b>	Accessories <b>With brake caliper bolts</b> <b>With accessories</b> <b>With anti-squeal shim</b>



**COMPATIBLE VEHICLES**

## COMPATIBLE OE PART NUMBERS

LR003657	LAND ROVER
----------	------------

---

LR134697	LAND ROVER
----------	------------

---

30671576	VOLVO
----------	-------

---

30794553	VOLVO
----------	-------

---