



BRAKE PAD PRIME CERAMIC P50007N

The P50007N NAO brake pad is synonymous with reliability

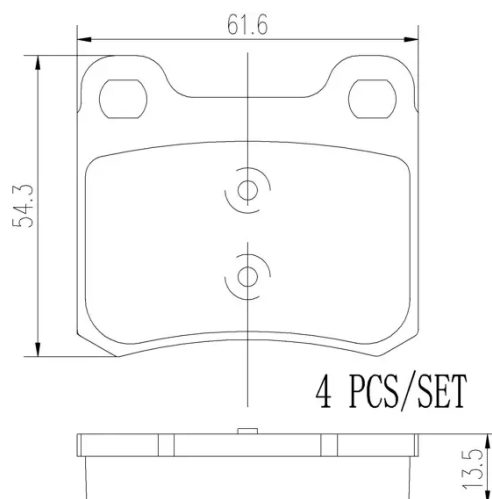
Brembo NAO brake pads stand out for their ultimate braking comfort, reduced friction wear and low dust mission, which makes for cleaner rims and reduced maintenance requirements. The advanced friction material in keeping with the strictest environmental standards is the main distinguishing feature of NAO compounds.

- ✓ OE-equivalent
- ✓ Brembo quality
- ✓ Safety
- ✓ Comfort
- ✓ Durability
- ✓ Dust reduction
- ✓ With accessories



Technical specifications

EAN code	Axle	Thickness
8020584088777	Rear	14 mm
Width	Height	Braking system
62 mm	54 mm	Teves
Wear indicator	WVA number	Accessories
Without	20687	With anti-squeal shim



COMPATIBLE VEHICLES

COMPATIBLE OE PART NUMBERS

0004200120 MERCEDES-BENZ

0004208820 MERCEDES-BENZ

0004209020 MERCEDES-BENZ

0014200120 MERCEDES-BENZ

00142001200005 MERCEDES-BENZ

4604200120 MERCEDES-BENZ

A0004200120 MERCEDES-BENZ

A0004208820 MERCEDES-BENZ

A0004209020 MERCEDES-BENZ

A0014200120 MERCEDES-BENZ

A00142001200005 MERCEDES-BENZ

A4604200120 MERCEDES-BENZ
