



BRAKE PAD PRIME CERAMIC P50053N

The P50053N NAO brake pad is synonymous with reliability

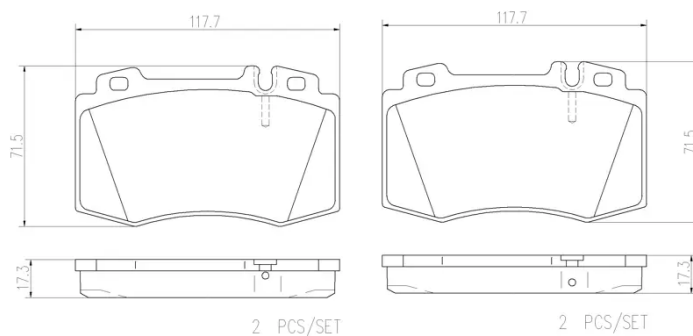
Brembo NAO brake pads stand out for their ultimate braking comfort, reduced friction wear and low dust mission, which makes for cleaner rims and reduced maintenance requirements. The advanced friction material in keeping with the strictest environmental standards is the main distinguishing feature of NAO compounds.

- ✓ OE-equivalent
- ✓ Brembo quality
- ✓ Safety
- ✓ Comfort
- ✓ Durability
- ✓ Dust reduction
- ✓ With accessories



Technical specifications

| | | |
|--|----------------------------------|---|
| EAN code 8020584109939 | Axle Front | Thickness 17 mm |
| Width 120 mm | Height 72 mm | Braking system Brembo |
| Wear indicator Prepared for wear indicator | WVA number 23745,23271 | Accessories With anti-squeal shim |



COMPATIBLE VEHICLES

COMPATIBLE OE PART NUMBERS

0004208004 MERCEDES-BENZ

0004208404 MERCEDES-BENZ

0034205820 MERCEDES-BENZ

0044200520 MERCEDES-BENZ

004420052067 MERCEDES-BENZ

0044209020 MERCEDES-BENZ

0054209520 MERCEDES-BENZ

005420952041 MERCEDES-BENZ

0064203220 MERCEDES-BENZ

4420052067 MERCEDES-BENZ

A0004208004 MERCEDES-BENZ

A0004208404 MERCEDES-BENZ

A0034205820 MERCEDES-BENZ

A0044200520 MERCEDES-BENZ

A004420052067 MERCEDES-BENZ

A0044209020 MERCEDES-BENZ

A0054209520 MERCEDES-BENZ

A0064203220 MERCEDES-BENZ

A4420052067 MERCEDES-BENZ
