



BRAKE PAD XTRA CERAMIC P50133NX

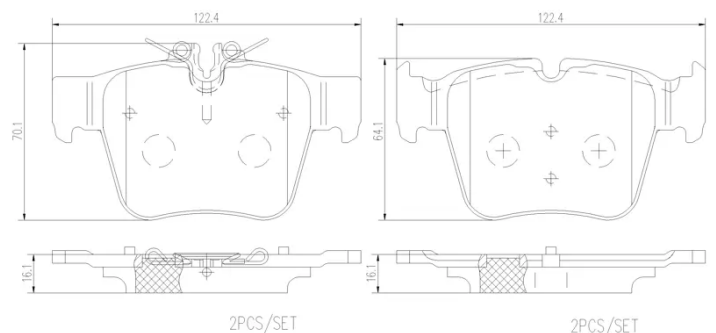
Xtra Ceramic brake pad P50133NX belongs to Brembo Cool Line

Brembo Xtra Ceramic brake pads have a specific compound which, beside being copper free, also contains less metal compared to Xtra pads. This feature make Xtra Ceramic more focused on comfort and cleaner rims, thanks to the ceramic friction material, while guaranteeing the top performance proper of the Xtra line. Xtra Ceramic range is fully ECE R90 homologated.

- ✓ OE-equivalent
- ✓ Brembo quality
- ✓ ECE-R90 certificate
- ✓ Safety
- ✓ Performance
- ✓ Dust reduction
- ✓ Comfort

Technical specifications

EAN code 8020584131527	Axle Rear	Thickness 16 mm
Width 122 mm	Height 64 mm	Braking system Teves
Wear indicator Prepared for wear indicator	WVA number 22424,22423	Accessories With anti-squeal shim



COMPATIBLE VEHICLES

COMPATIBLE OE PART NUMBERS

0004205200	MERCEDES-BENZ
------------	---------------

0004205900	MERCEDES-BENZ
------------	---------------

0004207803	MERCEDES-BENZ
------------	---------------

0004208300	MERCEDES-BENZ
------------	---------------

000420830028	MERCEDES-BENZ
--------------	---------------

0004208703	MERCEDES-BENZ
------------	---------------

A0004205200	MERCEDES-BENZ
-------------	---------------

A0004205900	MERCEDES-BENZ
-------------	---------------

A0004207803	MERCEDES-BENZ
-------------	---------------

A0004208300	MERCEDES-BENZ
-------------	---------------

A0004208703	MERCEDES-BENZ
-------------	---------------