



BRAKE PAD PRIME CERAMIC P56024N

The P56024N NAO brake pad is synonymous with reliability

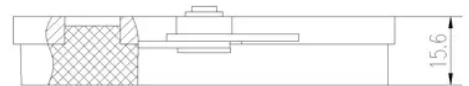
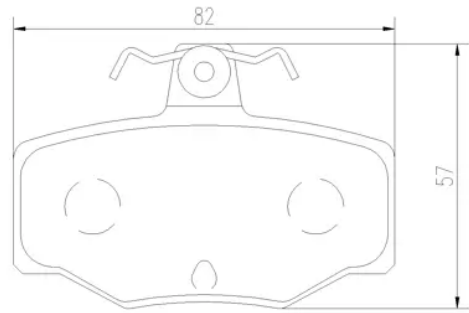
Brembo NAO brake pads stand out for their ultimate braking comfort, reduced friction wear and low dust mission, which makes for cleaner rims and reduced maintenance requirements. The advanced friction material in keeping with the strictest environmental standards is the main distinguishing feature of NAO compounds.

- ✓ OE-equivalent
- ✓ Brembo quality
- ✓ Safety
- ✓ Comfort
- ✓ Durability
- ✓ Dust reduction
- ✓ With accessories

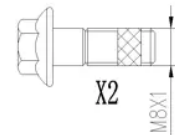


Technical specifications

EAN code	Axle	Thickness
8020584098721	Rear	16 mm
Width	Height	Braking system
82 mm	57 mm	Lucas
Wear indicator	WVA number	Accessories
Without	21545	With brake caliper bolts With accessories With anti-squeal shim



4PCS/SET



COMPATIBLE VEHICLES

COMPATIBLE OE PART NUMBERS

440603F025	NISSAN
440603F085	NISSAN
440603FD85	NISSAN
4406070J25	NISSAN
4406070J26	NISSAN
44060BM425	NISSAN
44060BM426	NISSAN
D4060BM40A	NISSAN