



# BRAKE PAD PRIME CERAMIC

## P61051N

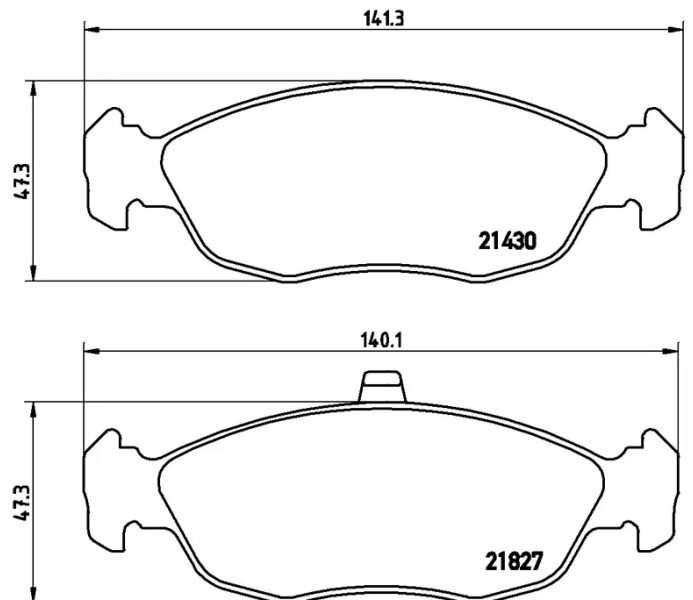
The P61051N NAO brake pad is synonymous with reliability

Brembo NAO brake pads stand out for their ultimate braking comfort, reduced friction wear and low dust mission, which makes for cleaner rims and reduced maintenance requirements. The advanced friction material in keeping with the strictest environmental standards is the main distinguishing feature of NAO compounds.

- ✓ OE-equivalent
- ✓ Brembo quality
- ✓ Safety
- ✓ Comfort
- ✓ Durability
- ✓ Dust reduction
- ✓ With accessories

### Technical specifications

EAN code	Axle	Thickness
<b>8020584114070</b>	<b>Front</b>	<b>17 mm</b>
Width	Height	Braking system
<b>140 mm</b>	<b>48 mm</b>	<b>Teves</b>
Wear indicator	WVA number	Accessories
<b>Without</b>	<b>21430,21827</b>	<b>With piston clip</b> <b>With accessories</b> <b>With anti-squeal shim</b>



## COMPATIBLE OE PART NUMBERS

1611458480 CITROËN

---

415188 CITROËN

---

425121 CITROËN

---

425134 CITROËN

---

425138 CITROËN

---

425139 CITROËN

---

425142 CITROËN

---

425167 CITROËN

---

425170 CITROËN

---

425267 CITROËN

---

425306 CITROËN

---

425450 CITROËN

---

425482 CITROËN

---

E172083 CITROËN

---

E172513 CITROËN

---

1611458480 PEUGEOT

---

1617252480 PEUGEOT

---

415188 PEUGEOT

---

425121 PEUGEOT

---

425134 PEUGEOT

---

425138 PEUGEOT

---

425139 PEUGEOT

---

425142 PEUGEOT

---

425167 PEUGEOT

---

425170 PEUGEOT

---

425267 PEUGEOT

---

425304 PEUGEOT

---

425306 PEUGEOT

---

425450 PEUGEOT

---

425482 PEUGEOT

---

E172083 PEUGEOT

---

E172513 PEUGEOT

---

E172540 PEUGEOT

---