

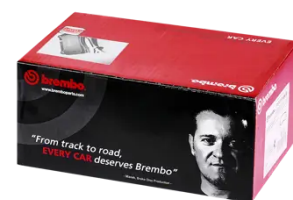


# BRAKE PAD PRIME CERAMIC P65016N

The P65016N NAO brake pad is synonymous with reliability

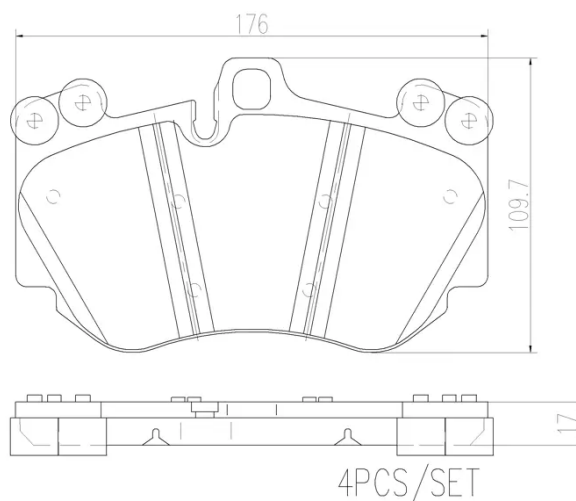
Brembo NAO brake pads stand out for their ultimate braking comfort, reduced friction wear and low dust mission, which makes for cleaner rims and reduced maintenance requirements. The advanced friction material in keeping with the strictest environmental standards is the main distinguishing feature of NAO compounds.

- ✓ OE-equivalent
- ✓ Brembo quality
- ✓ Safety
- ✓ Comfort
- ✓ Durability
- ✓ Dust reduction
- ✓ With accessories



## Technical specifications

EAN code <b>8020584083468</b>	Axle <b>Front</b>	Thickness <b>17 mm</b>
Width <b>176 mm</b>	Height <b>110 mm</b>	Braking system <b>Brembo</b>
Wear indicator <b>Prepared for wear indicator</b>	WVA number <b>23961</b>	Accessories <b>With anti-squeal shim With counterweights</b>



COMPATIBLE VEHICLES

## COMPATIBLE OE PART NUMBERS

7L5698151	AUDI
95535193950	PORSCHE
95535193951	PORSCHE
95535193952	PORSCHE
95535193953	PORSCHE
95535193954	PORSCHE
7L5698151	SEAT
7L5698151	SKODA
7L5698151	VW
7L5698151H	VW