



BRAKE PAD PRIME CERAMIC P85135N

The P85135N NAO brake pad is
synonymous with reliability

Brembo NAO brake pads stand out for their ultimate braking comfort, reduced friction wear and low dust mission, which makes for cleaner rims and reduced maintenance requirements. The advanced friction material in keeping with the strictest environmental standards is the main distinguishing feature of NAO compounds.

- ✓ OE-equivalent
- ✓ Brembo quality
- ✓ Safety
- ✓ Comfort
- ✓ Durability
- ✓ Dust reduction
- ✓ With accessories



Technical specifications

EAN code
8020584084601

Axle
Rear

Thickness
18 mm

Width
104 mm

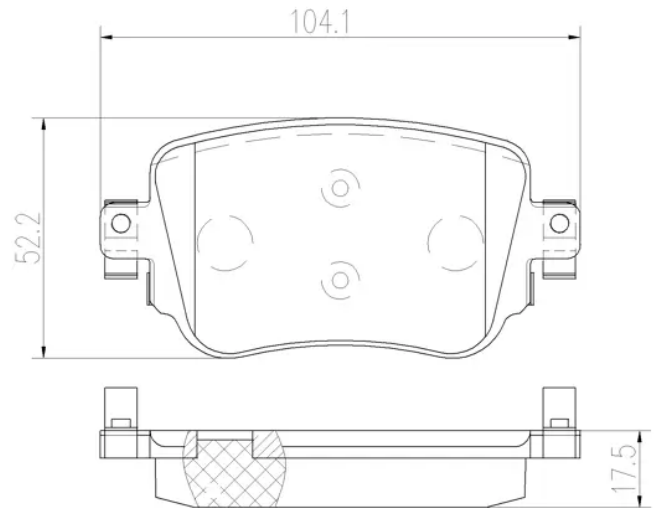
Height
52 mm

Braking system
Lucas

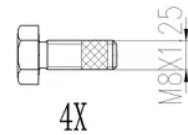
Wear indicator
Acoustic

WVA number
25110

Accessories
With anti-squeal shim
With brake caliper bolts
With accessories



4 PCS/SET



COMPATIBLE VEHICLES

COMPATIBLE OE PART NUMBERS

2K5698451A	AUDI
------------	------

2K5698451B	AUDI
------------	------

2Q0698451D	AUDI
------------	------

5Q0698451B	AUDI
------------	------

5Q0698451F	AUDI
------------	------

L5QD698451B	AUDI (FAW)
-------------	------------

2K5698451A	SEAT
------------	------

2K5698451B	SEAT
------------	------

5Q0698451B	SEAT
------------	------

5Q0698451F	SEAT
------------	------

5Q0698451L	SEAT
------------	------

2K5698451A	SKODA
------------	-------

2K5698451B	SKODA
------------	-------

5Q0698451B	SKODA
------------	-------

5Q0698451F	SKODA
------------	-------

2K5698451A	VW
------------	----

2K5698451B	VW
------------	----

2K5698451C	VW
------------	----

5Q0698451B	VW
------------	----

5Q0698451F	VW
------------	----

7N0698451B	VW
------------	----

7N0698451D	VW
------------	----

L5QD698451B	VW (FAW)
-------------	----------