



# BRAKE PAD

## P 06 055

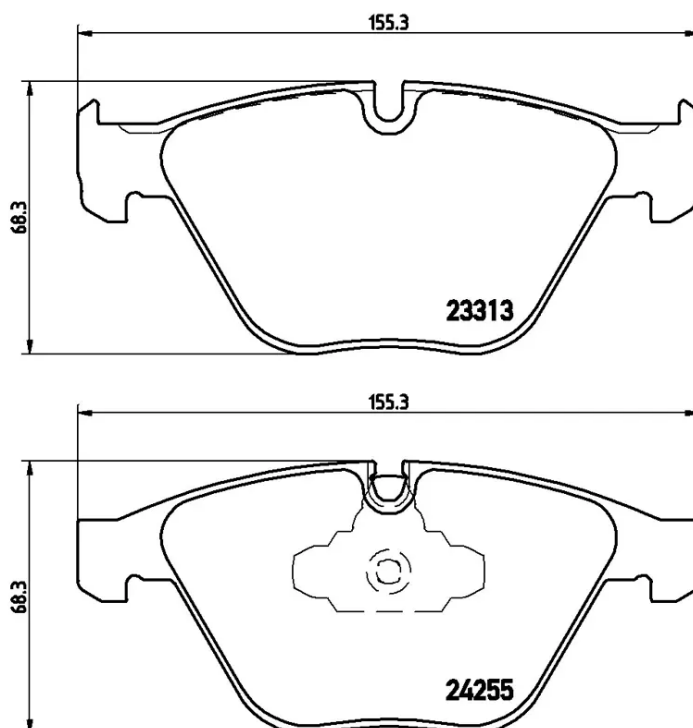
The P 06 055 brake pad is synonymous with reliability

The Brembo brake pad guarantees ultimate safety when braking thanks to the use of more than 100 different compounds, designed according to the type of vehicle and use. Stopping distances reduced to a minimum, maximum driving comfort and silent operation are the most important features of Brembo materials. Brembo brake pads are supplied together with an extensive range of accessories and assembly kits for professional-standard installation.

- ✓ OE-equivalent
- ✓ Brembo quality
- ✓ ECE-R90 certificate
- ✓ Safety
- ✓ Performance
- ✓ Comfort
- ✓ With accessories

### Technical specifications

EAN code <b>8020584090190</b>	Axle <b>Front</b>	Thickness <b>20 mm</b>
Width <b>155 mm</b>	Height <b>68 mm</b>	Braking system <b>Teves</b>
Wear indicator <b>Prepared for wear indicator</b>	WVA number <b>23313,24255</b>	Accessories <b>With accessories With anti-squeal shim With piston clip</b>



## COMPATIBLE OE PART NUMBERS

34112288858	BMW
34112288859	BMW
34112288861	BMW
34112288862	BMW
34112288866	BMW
34112288867	BMW
34112288868	BMW
34112288869	BMW
34112409225	BMW
34112413152	BMW
34116780711	BMW
34116790759	BMW
34116857686	BMW
34106880754	BMW (BRILLIANCE)
6880754	BMW (BRILLIANCE)