



BRAKE PAD XTRA

P 23 141X

The P 23 141X Xtra brake pad is synonymous with reliability

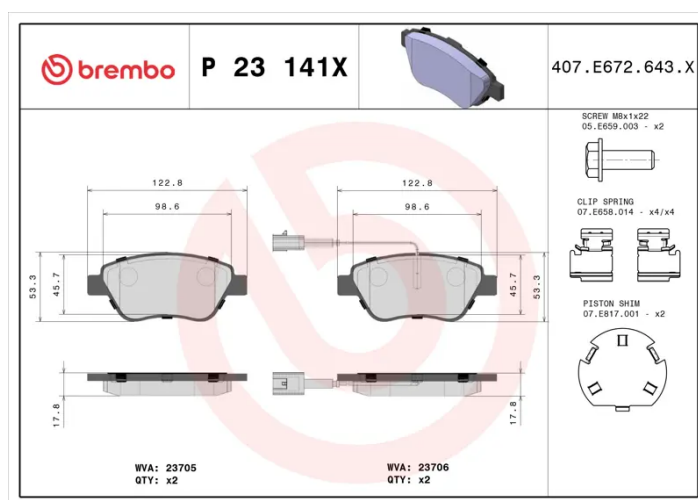
Brembo Xtra brake pads, developed to enhance the advantages of the Xtra and Max discs, are made using the special BRM X L01 compound which consists of more than 30 different components. Compared with the compound used for original-equivalent pads, the new solution assures a higher friction coefficient, which translates to more precise and stable braking, at both high and low temperatures. All this makes for greater driving comfort and improved pedal modularity, without compromising the product's mileage output.



- ✓ OE-equivalent
- ✓ Brembo quality
- ✓ ECE-R90 certificate
- ✓ Safety
- ✓ Performance
- ✓ Sports driving
- ✓ With accessories

Technical specifications

EAN code 8020584121481	Axle Front	Thickness 18 mm
Width 123 mm	Height 53 mm	Braking system Bosch
Wear indicator Electric	WVA number 23705,23706	Accessories With accessories With anti-squeal shim With brake caliper bolts



COMPATIBLE VEHICLES

COMPATIBLE OE PART NUMBERS

1609253280 CITROËN

1618111580 CITROËN

1636412780 CITROËN

4254C8 CITROËN

71770098 FIAT

71770118 FIAT

77364874 FIAT

77365465 FIAT

77365543 FIAT

77365857 FIAT

77366134 FIAT

77367327 FIAT

1617283380 PEUGEOT

4254C8 PEUGEOT
