



# BRAKE PAD

## P 23 146

**The P 23 146 brake pad is synonymous with reliability**

The Brembo brake pad guarantees ultimate safety when braking thanks to the use of more than 100 different compounds, designed according to the type of vehicle and use. Stopping distances reduced to a minimum, maximum driving comfort and silent operation are the most important features of Brembo materials. Brembo brake pads are supplied together with an extensive range of accessories and assembly kits for professional-standard installation.

- ✓ OE-equivalent
- ✓ Brembo quality
- ✓ ECE-R90 certificate
- ✓ Safety
- ✓ Performance
- ✓ Comfort



## Technical specifications

EAN code  
**8020584108987**

Axle  
**Rear**

Thickness  
**14 mm**

Width  
**96 mm**

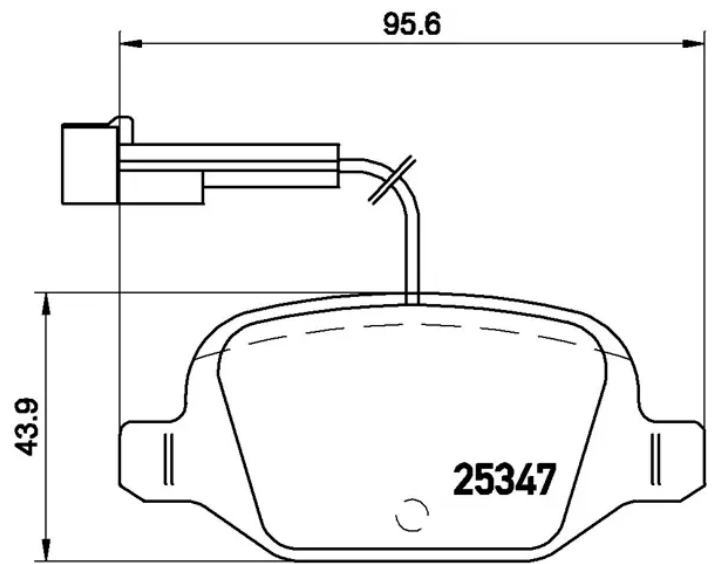
Height  
**44 mm**

Braking system  
**TRW**

Wear indicator  
**Electric**

WVA number  
**23601,25347**

Accessories  
**With anti-squeal shim**



## COMPATIBLE VEHICLES

## COMPATIBLE OE PART NUMBERS

77365754	ABARTH
77367241	ABARTH
77365754	FIAT
77367241	FIAT
0K2A33323ZB	KIA