



BRAKE PAD

P 24 147

The P 24 147 brake pad is synonymous with reliability

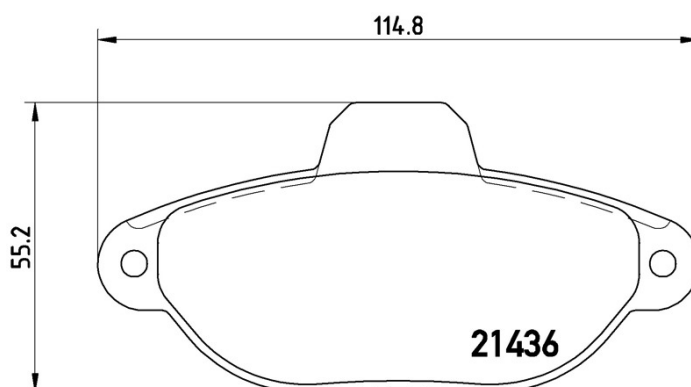
The Brembo brake pad guarantees ultimate safety when braking thanks to the use of more than 100 different compounds, designed according to the type of vehicle and use. Stopping distances reduced to a minimum, maximum driving comfort and silent operation are the most important features of Brembo materials. Brembo brake pads are supplied together with an extensive range of accessories and assembly kits for professional-standard installation.



- ✓ OE-equivalent
- ✓ Brembo quality
- ✓ ECE-R90 certificate
- ✓ Safety
- ✓ Performance
- ✓ Comfort
- ✓ With accessories

Technical specifications

EAN code	Axle	Thickness
8020584102992	Front	17 mm
Width	Height	Braking system
115 mm	55 mm	Bendix
Wear indicator	WVA number	Accessories
Electric	21436	With accessories



COMPATIBLE VEHICLES

COMPATIBLE OE PART NUMBERS

6001073453 FIAT

77364635 FIAT

77365191 FIAT

77365306 FIAT

77365816 FIAT

1559698 FORD

1575620 FORD

1669578 FORD

1675620 FORD

1731172 FORD

1736940 FORD

1778385 FORD

7G9T14K733XCJ FORD

9S512K021B FORD

9S512K021BA FORD

9S512K021BB FORD

9S512K021BC FORD

BS512K021A FORD

BS512K021BA FORD

ME9S51J2K021BA FORD

ME9S5J2K021BA FORD

ME9S5J2K021BB FORD