



# BRAKE PAD

## P 24 236

The P 24 236 brake pad is synonymous with reliability

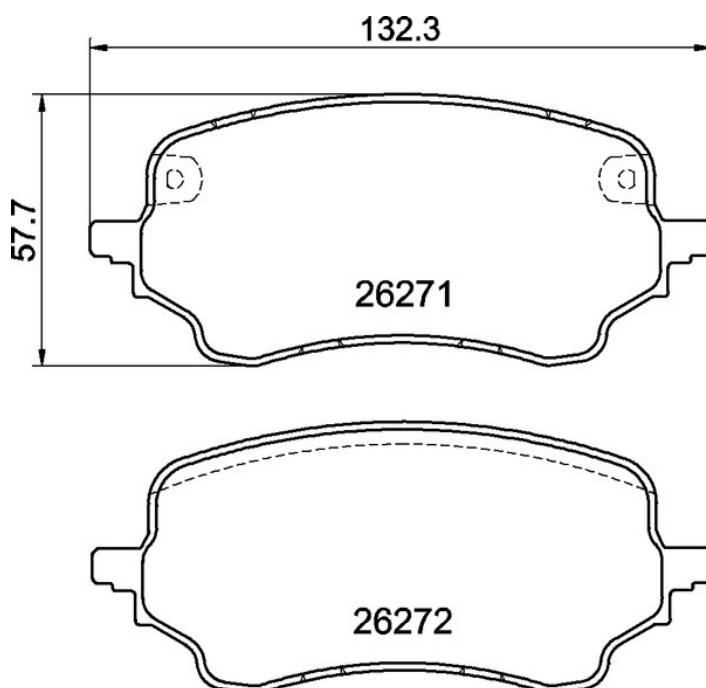
The Brembo brake pad guarantees ultimate safety when braking thanks to the use of more than 100 different compounds, designed according to the type of vehicle and use. Stopping distances reduced to a minimum, maximum driving comfort and silent operation are the most important features of Brembo materials. Brembo brake pads are supplied together with an extensive range of accessories and assembly kits for professional-standard installation.



- ✓ OE-equivalent
- ✓ Brembo quality
- ✓ ECE-R90 certificate
- ✓ Safety
- ✓ Performance
- ✓ Comfort
- ✓ With accessories

### Technical specifications

EAN code <b>8020584119099</b>	Axle <b>Front</b>	Thickness <b>18 mm</b>
Width <b>132 mm</b>	Height <b>58 mm</b>	Braking system <b>TRW</b>
Wear indicator <b>Without</b>	WVA number <b>26271,26272</b>	Accessories <b>With accessories</b> <b>With anti-squeal shim</b> <b>With brake caliper bolts</b>



**COMPATIBLE VEHICLES**

## COMPATIBLE OE PART NUMBERS

2413372	FORD
---------	------

---

2425653	FORD
---------	------

---

2588897	FORD
---------	------

---

KTL1TC2K021AB	FORD
---------------	------

---

KTL1TC2K021AC	FORD
---------------	------

---

KTL1TC2K021AA	FORD AUSTRALIA
---------------	----------------

---