



# BRAKE PAD

## P 30 094

The P 30 094 brake pad is synonymous with reliability

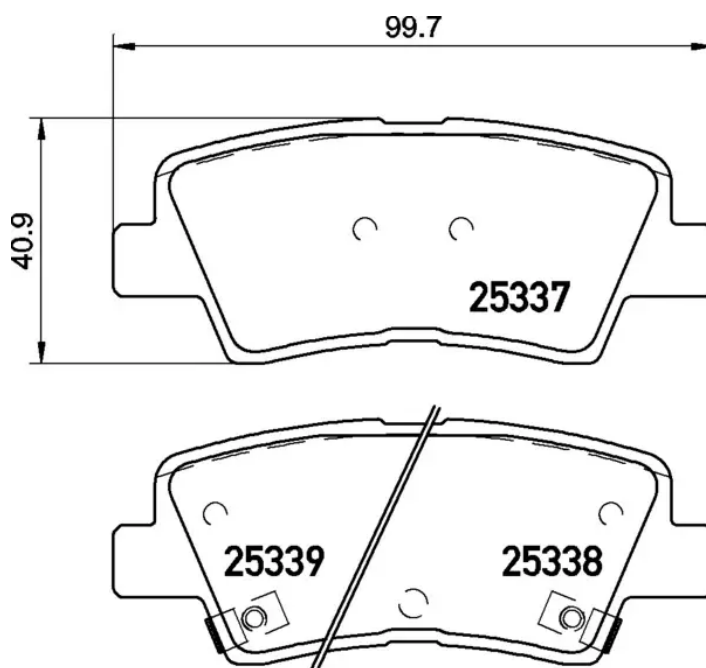
The Brembo brake pad guarantees ultimate safety when braking thanks to the use of more than 100 different compounds, designed according to the type of vehicle and use. Stopping distances reduced to a minimum, maximum driving comfort and silent operation are the most important features of Brembo materials. Brembo brake pads are supplied together with an extensive range of accessories and assembly kits for professional-standard installation.

- ✓ OE-equivalent
- ✓ Brembo quality
- ✓ ECE-R90 certificate
- ✓ Safety
- ✓ Performance
- ✓ Comfort
- ✓ With accessories



### Technical specifications

EAN code <b>8020584087428</b>	Axle <b>Rear</b>	Thickness <b>16 mm</b>
Width <b>100 mm</b>	Height <b>41 mm</b>	Braking system <b>Akebono</b>
Wear indicator <b>Acoustic</b>	WVA number <b>25339,25338,25337</b>	Accessories <b>With piston clip With anti-squeal shim With accessories</b>



## COMPATIBLE OE PART NUMBERS

583022VA35	HYUNDAI
------------	---------

583022VA50	HYUNDAI
------------	---------

58302A6A30	HYUNDAI
------------	---------

58302A6A31	HYUNDAI
------------	---------

58302B4A30	HYUNDAI
------------	---------

58302B4A35	HYUNDAI
------------	---------

58302CMA10	HYUNDAI
------------	---------

58302D4A50	HYUNDAI
------------	---------

58302F2A30	HYUNDAI
------------	---------

58302F3A30	HYUNDAI
------------	---------

58302G4A50	HYUNDAI
------------	---------

58302H6A00	HYUNDAI
------------	---------

58302K7A00	HYUNDAI
------------	---------

58302Q0A35	HYUNDAI
------------	---------

58302Q0A60	HYUNDAI
------------	---------

58302A4B60	KIA
------------	-----

58302A7B31	KIA
------------	-----

58302A8A50	KIA
------------	-----

58302A8A65	KIA
------------	-----

58302B2A10	KIA
------------	-----

58302C1A00	KIA
------------	-----

58302G4A50	KIA
------------	-----

58302K0A10	KIA
------------	-----

58302K0A50	KIA
------------	-----

58302Q6A00	KIA
------------	-----

5583023ZA10	KIA
-------------	-----

48413351B0	SSANGYONG
------------	-----------

48413351D0	SSANGYONG
------------	-----------

48413370B0	SSANGYONG
------------	-----------

48413370D0	SSANGYONG
------------	-----------