



BRAKE PAD

P 36 038

The P 36 038 brake pad is synonymous with reliability

The Brembo brake pad guarantees ultimate safety when braking thanks to the use of more than 100 different compounds, designed according to the type of vehicle and use. Stopping distances reduced to a minimum, maximum driving comfort and silent operation are the most important features of Brembo materials. Brembo brake pads are supplied together with an extensive range of accessories and assembly kits for professional-standard installation.



- ✓ OE-equivalent
- ✓ Brembo quality
- ✓ ECE-R90 certificate
- ✓ Safety
- ✓ Performance
- ✓ Comfort
- ✓ With accessories

Technical specifications

EAN code
8020584125700

Axle
Front

Thickness
20 mm

Width
177 mm

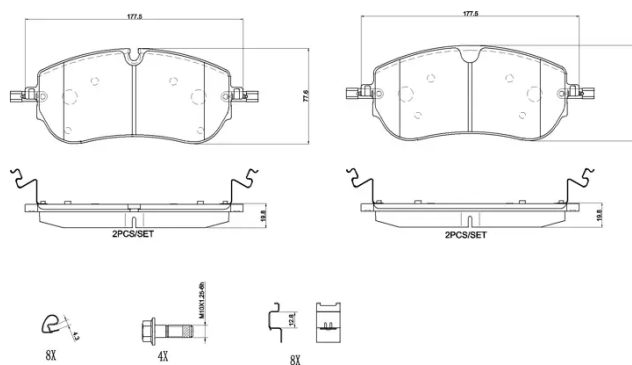
Height
77 mm

Braking system
CBI

Wear indicator
Prepared for wear indicator

WVA number
26510,26511

Accessories
**With accessories
With anti-squeal shim
With brake caliper bolts**



COMPATIBLE VEHICLES

COMPATIBLE OE PART NUMBERS

J9C26726 JAGUAR

J9C33342 JAGUAR

J9C37915 JAGUAR

LR140696 LAND ROVER

LR160477 LAND ROVER

LR174900 LAND ROVER
