



BRAKE PAD

P 44 016

The P 44 016 brake pad is synonymous with reliability

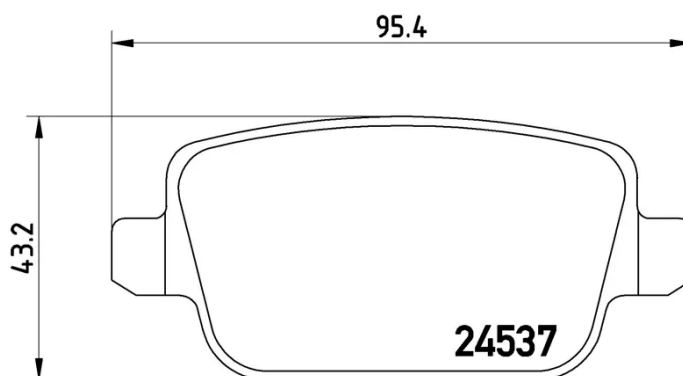
The Brembo brake pad guarantees ultimate safety when braking thanks to the use of more than 100 different compounds, designed according to the type of vehicle and use. Stopping distances reduced to a minimum, maximum driving comfort and silent operation are the most important features of Brembo materials. Brembo brake pads are supplied together with an extensive range of accessories and assembly kits for professional-standard installation.

- ✓ OE-equivalent
- ✓ Brembo quality
- ✓ ECE-R90 certificate
- ✓ Safety
- ✓ Performance
- ✓ Comfort
- ✓ With accessories



Technical specifications

EAN code 8020584060933	Axle Rear	Thickness 16 mm
Width 95 mm	Height 43 mm	Braking system TRW
Wear indicator Without	WVA number 24537	Accessories With anti-squeal shim With brake caliper bolts With accessories



COMPATIBLE VEHICLES

COMPATIBLE OE PART NUMBERS

LR003655	LAND ROVER
----------	------------

LR003772	LAND ROVER
----------	------------

LR023888	LAND ROVER
----------	------------

LR165293	LAND ROVER
----------	------------

PW990333	PROTON
----------	--------

PW990396	PROTON
----------	--------

306715760	VOLVO
-----------	-------