



BRAKE PAD XTRA P 50 068X

The P 50 068X Xtra brake pad is synonymous with reliability

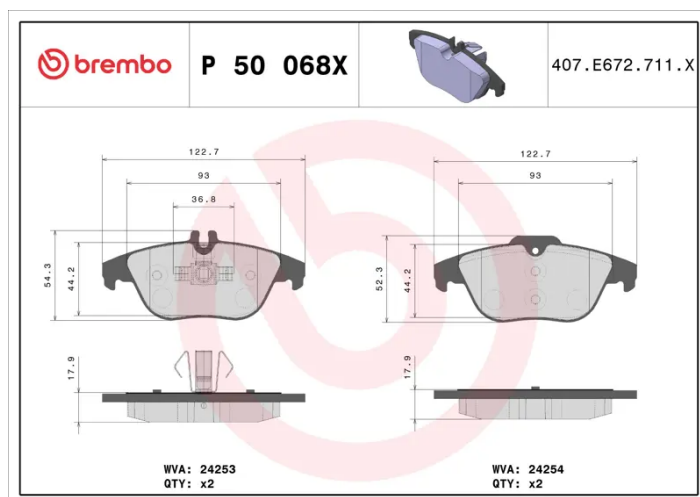
Brembo Xtra brake pads, developed to enhance the advantages of the Xtra and Max discs, are made using the special BRM X L01 compound which consists of more than 30 different components. Compared with the compound used for original-equivalent pads, the new solution assures a higher friction coefficient, which translates to more precise and stable braking, at both high and low temperatures. All this makes for greater driving comfort and improved pedal modularity, without compromising the product's mileage output.

- ✓ Brembo quality
- ✓ ECE-R90 certificate
- ✓ Safety
- ✓ Performance
- ✓ Sports driving



Technical specifications

EAN code 8020584068946	Axle Rear	Thickness 18 mm
Width 123 mm	Height 52 mm	Braking system Teves
Wear indicator Prepared for wear indicator	WVA number 24253,24254	Accessories With anti-squeal shim With piston clip



COMPATIBLE VEHICLES

COMPATIBLE OE PART NUMBERS

0004200205 MERCEDES-BENZ

0054200720 MERCEDES-BENZ

0054204220 MERCEDES-BENZ

0054204320 MERCEDES-BENZ

005420432041 MERCEDES-BENZ

0054208120 MERCEDES-BENZ

0064201320 MERCEDES-BENZ

0064206120 MERCEDES-BENZ

0074206020 MERCEDES-BENZ

0074208520 MERCEDES-BENZ

A0004200205 MERCEDES-BENZ

A0054200720 MERCEDES-BENZ

A0054204220 MERCEDES-BENZ

A0054204320 MERCEDES-BENZ

A005420432041 MERCEDES-BENZ

A0054208120 MERCEDES-BENZ

A0064201320 MERCEDES-BENZ

A0064206120 MERCEDES-BENZ

A0074206020 MERCEDES-BENZ

A0074208520 MERCEDES-BENZ
