



BRAKE PAD

P 61 100

The P 61 100 brake pad is synonymous with reliability



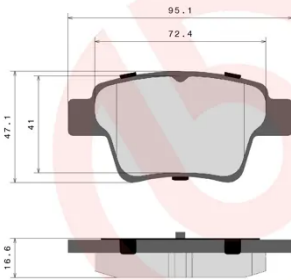
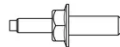
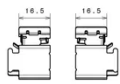
The Brembo brake pad guarantees ultimate safety when braking thanks to the use of more than 100 different compounds, designed according to the type of vehicle and use. Stopping distances reduced to a minimum, maximum driving comfort and silent operation are the most important features of Brembo materials. Brembo brake pads are supplied together with an extensive range of accessories and assembly kits for professional-standard installation.

- ✓ OE-equivalent
- ✓ Brembo quality
- ✓ ECE-R90 certificate
- ✓ Safety
- ✓ Performance
- ✓ Comfort
- ✓ With accessories



Technical specifications

EAN code 8020584061787	Axle Rear	Thickness 18 mm
Width 95 mm	Height 47 mm	Braking system Bosch
Wear indicator Without	WVA number 24737	Accessories With anti-squeal shim With brake caliper bolts With accessories

	P 61 100		407.E672.505
		SCREW 05.E659.012 - x2 	
		CLIP SPRING 07.E658.014 - x4/x4 	
WVA: 24737 QTY: x4		DATE : 25/05/2023 VERSION : 00	

COMPATIBLE VEHICLES

COMPATIBLE OE PART NUMBERS

4586004	AEOLUS
---------	--------

1019993400	BYD
------------	-----

1059315100	BYD
------------	-----

425340	CITROËN
--------	---------

425401	CITROËN
--------	---------

425419	CITROËN
--------	---------

425440	CITROËN
--------	---------

E172270	CITROËN
---------	---------

4586004	FENGSHEN
---------	----------

5X635021	FENGXING
----------	----------

425340	PEUGEOT
--------	---------

425401	PEUGEOT
--------	---------

425419	PEUGEOT
--------	---------

425440	PEUGEOT
--------	---------

E172270	PEUGEOT
---------	---------